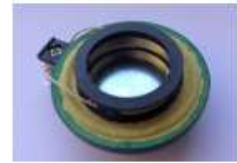


Content

- 1. General
- 2. Electrical and acoustical specification
- 3. Test Conditions
- 4. Drawing
- 5. Reliability Test
- 6. Packing



1. General

Operating temperature: -30°C bis +75°C component weight [g]: 70
 Storage temperature: -40°C bis +85°C
 Contact: Tab housing color:
 Packaging: TBD IP rating: n/A
 ESD conform
 RoHs conform: yes
 Remark:
 Dimension: Ø 44×20.1 (mm)

2. Electrical and acoustical specification

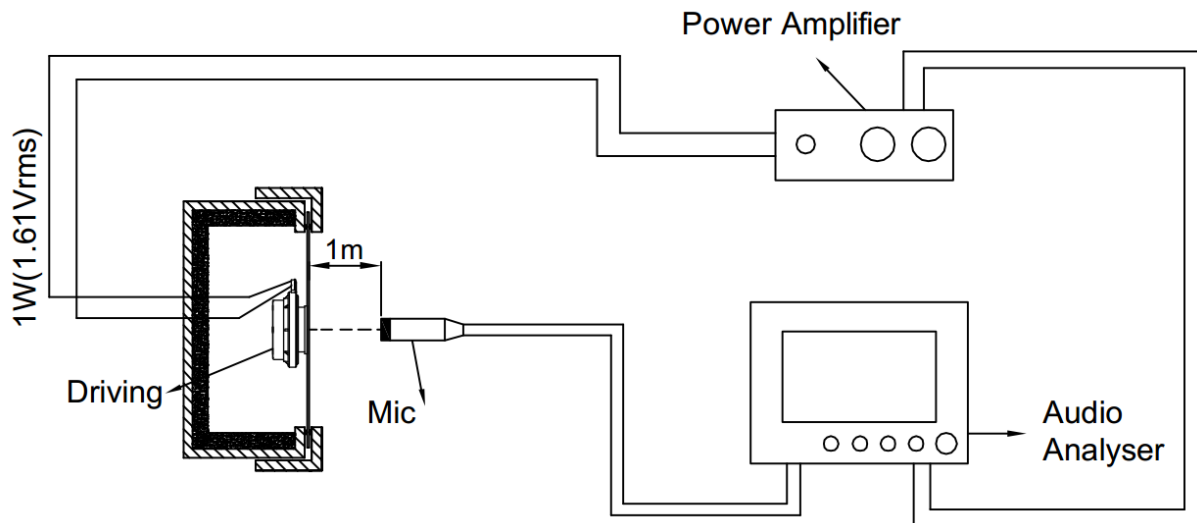
Description	Value	Tolerance
Rated input power [W]: 5,09V	10	
Maximum input power [W]: 7,21V	20	
Impedance [Ω]: at 1kHz	3	±15%
Resonance frequency [Hz]	250	±20%
Frequency range [Hz]: F0 -	20.000	
SPL [dBA] at 1W / 1m / 1kHz	72	±3dB
Buzz and rattle: Must be normal at sine wave 5.09 Vrms		
Magnet material:		
membrane material:		
Polarity: Positive voltage to (+), Diaphragm moves forward		
THD: <5% at 1W / 1kHz		
Remark:		

Transmittal, reproduction, dissemination and / or editing of this documents as well as utilization of its contents and communication thereof to others without express authorization are prohibited. Offenders will be held liable for payment of damages. All rights created by patent grant or registration of a utility model or design patent are reserved.

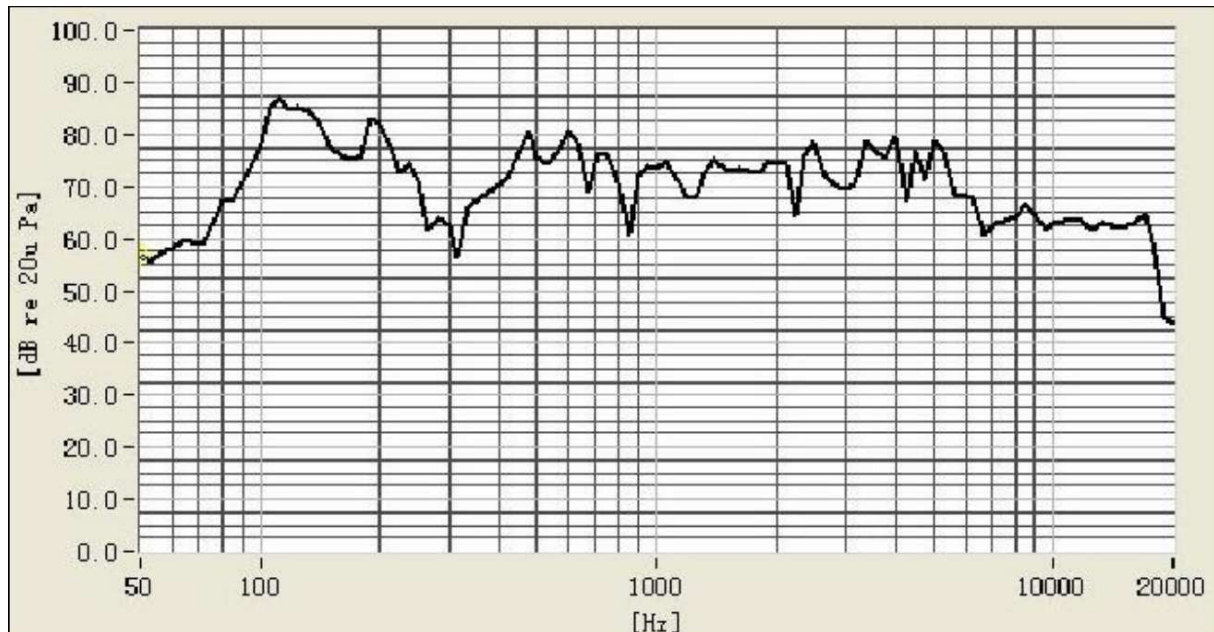
GREWUS		dimensions without tolerance: ± 0.3	scale:	
Designed by: Michèl Schmitz	01.02.2017	part number: EXR 4403LA	index: A	Last update: 05.12.2018
Released by: Rabea Richter	05.12.2018			
drawing number: 427673011		Exciter	Page 1 of 6	

3. Test conditions & Reference curves

3.1 Test Method

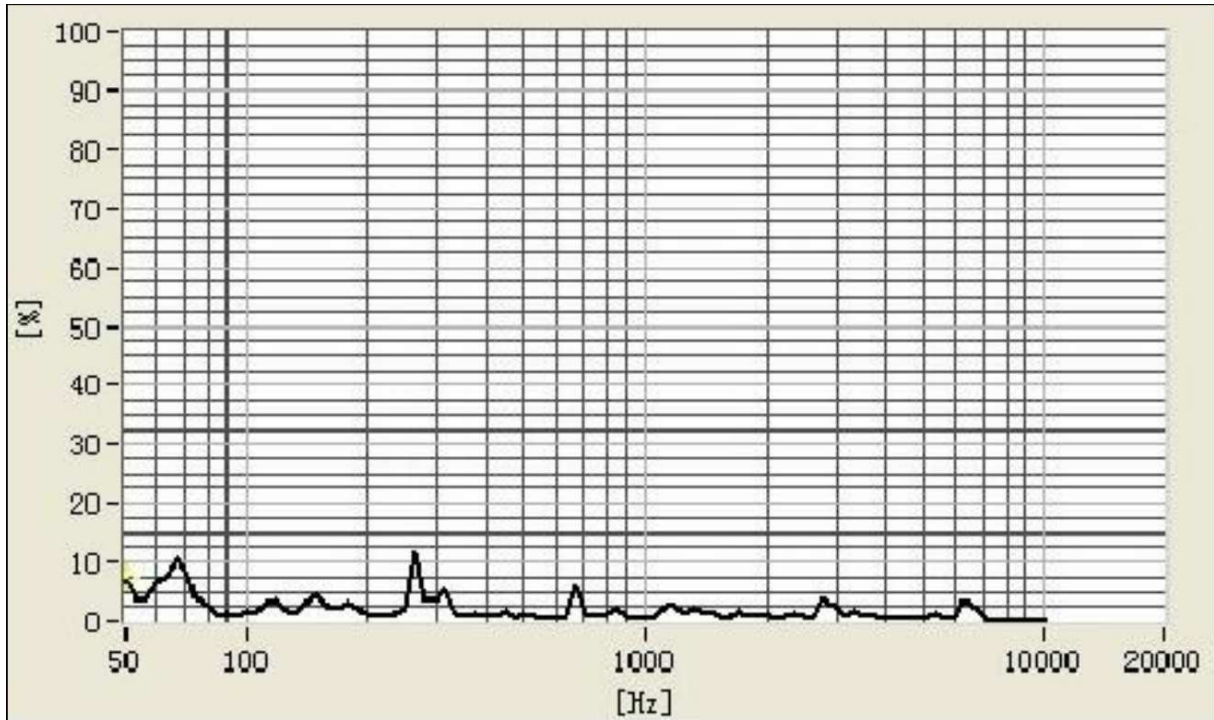


3.2 Frequency Response Curve (only for reference)

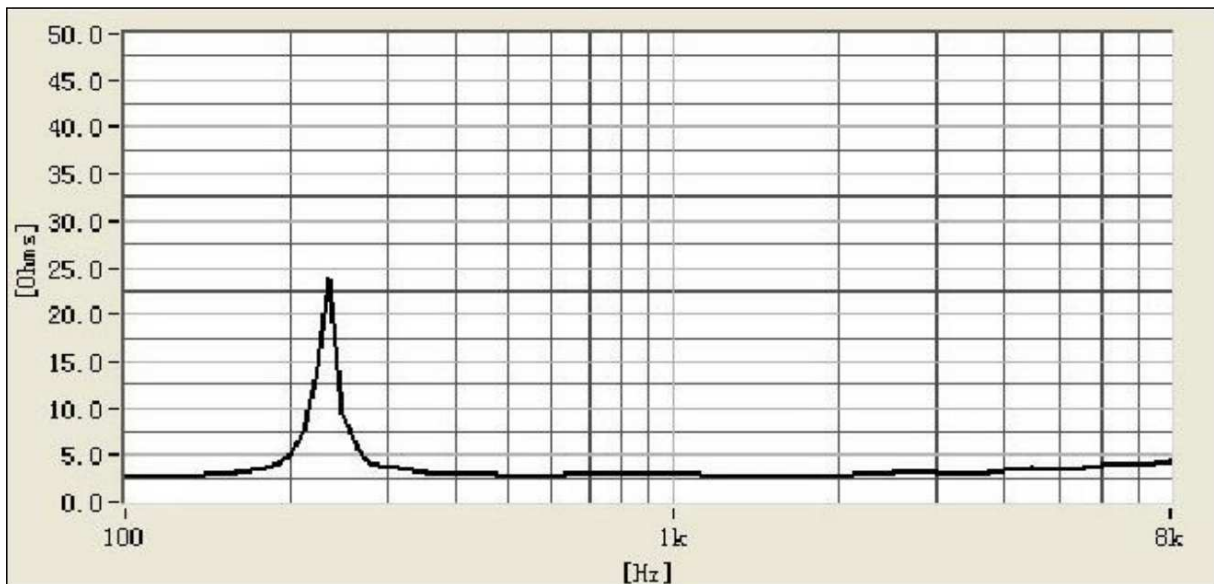


GREWUS			Dimensions without tolerance ±0.3	Scale	
Designed by	Michèl Schmitz	01.02.2017	Part number	Index	Last Update
Released by	Rabea Richter	05.12.2018	EXR 4403LA	A	05.12.2018
Drawing number	427673011			Page	2 of 6

3.3 Total Harmonic Distortion Curve (only for reference)



3.4 Impedance Response Curve (only for reference)

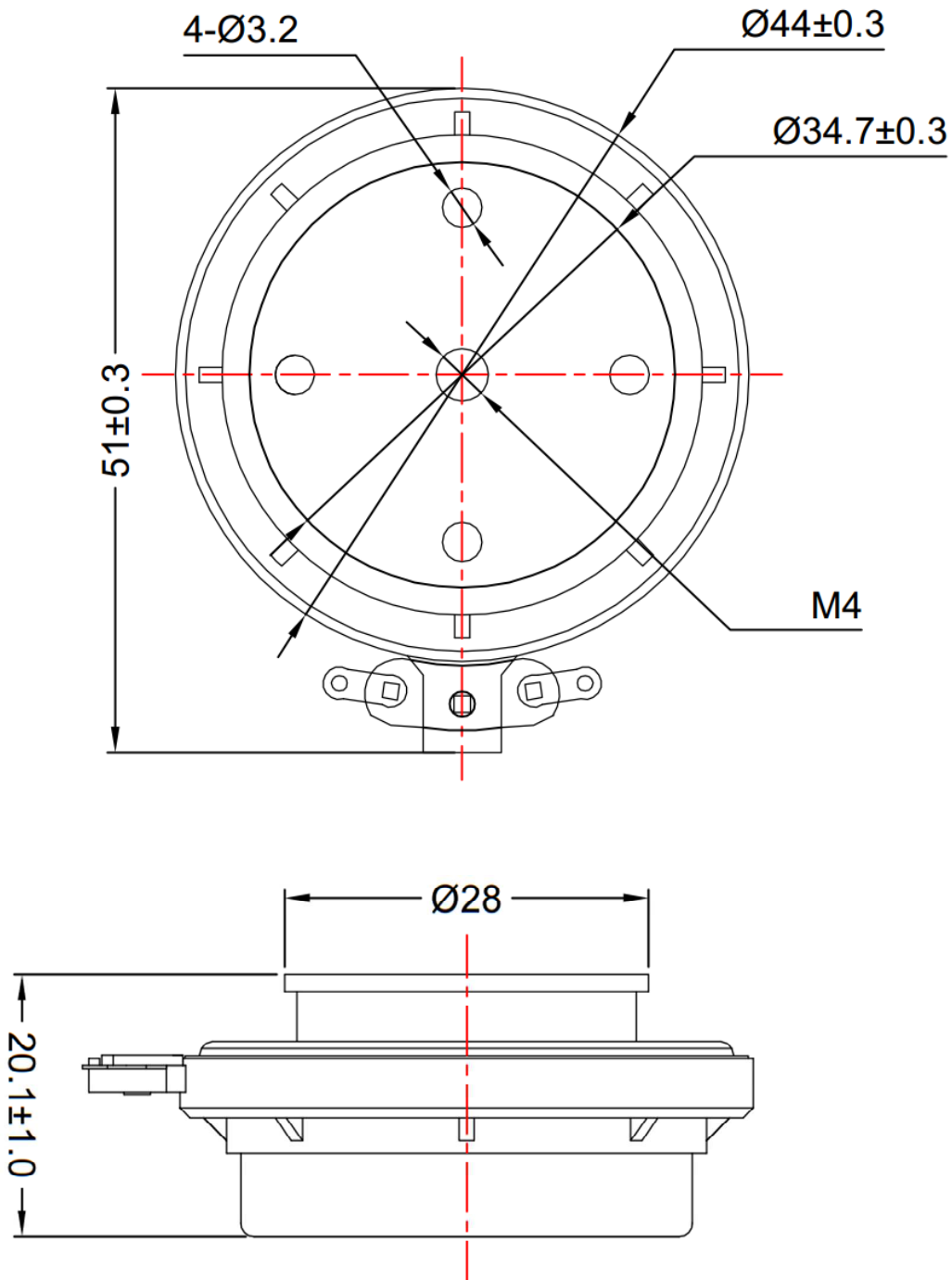


GREWUS			Dimensions without tolerance ±0.3	Scale	
Designed by	Michèl Schmitz	01.02.2017	Part number	Index	Last Update
Released by	Rabea Richter	05.12.2018	EXR 4403LA	A	05.12.2018
Drawing number	427673011			Page	3 of 6

4. Drawing

Unit: mm

Tolerance: $\pm 0,2\text{mm}$



GREWUS			Dimensions without tolerance ± 0.3	Scale	
Designed by	Michèl Schmitz	01.02.2017	Part number	Index	Last Update
Released by	Rabea Richter	05.12.2018	EXR 4403LA	A	05.12.2018
Drawing number 427673011				Page	4 of 6

5. Reliability Test

5.1 Load Test

Power (Nom): 5.09W (white noise)
 Duration: 96 hours

5.2 High Temperature Test

Temperature: +85 ±2°C
 Duration: 96 hours

5.3 Low Temperature Test

Temperature: -40 ±2°C
 Duration: 96 hours

5.4 Damp Heat

Temperature: +40 ±2°C
 Duration: 96 hours
 Relative Humidity: 90%-95%RH

5.5 Drop Test

Height: 75cm
 Times: 10 times
 Drop face: free falling on concrete floor

5.6 Vibration Test

Frequency: 30±15Hz
 Amplitude: 1.5mm for 3 hours

Notice:

After test leave at room temperature for 1 hour, SPL shall not deviate by ±3dB from pre-test measurement and meet above spec. item 5,6,7,8,9.

GREWUS			Dimensions without tolerance ±0.3	Scale	
Designed by	Michèl Schmitz	01.02.2017	Part number EXR 4403LA	Index	Last Update
Released by	Rabea Richter	05.12.2018		A	05.12.2018
Drawing number 427673011				Page	5 of 6

6. Packing

TBD

GREWUS			Dimensions without tolerance ± 0.3	Scale	
Designed by	Michèl Schmitz	01.02.2017	Part number EXR 4403LA	Index	Last Update
Released by	Rabea Richter	05.12.2018		A	05.12.2018
Drawing number 427673011				Page	6 of 6