

SOE 2608W A

EXCITER

CONTENT

1. Specifications
2. Drawing
3. Impedance Response Curve
4. Reliability Test
5. Packing
6. History Change Record

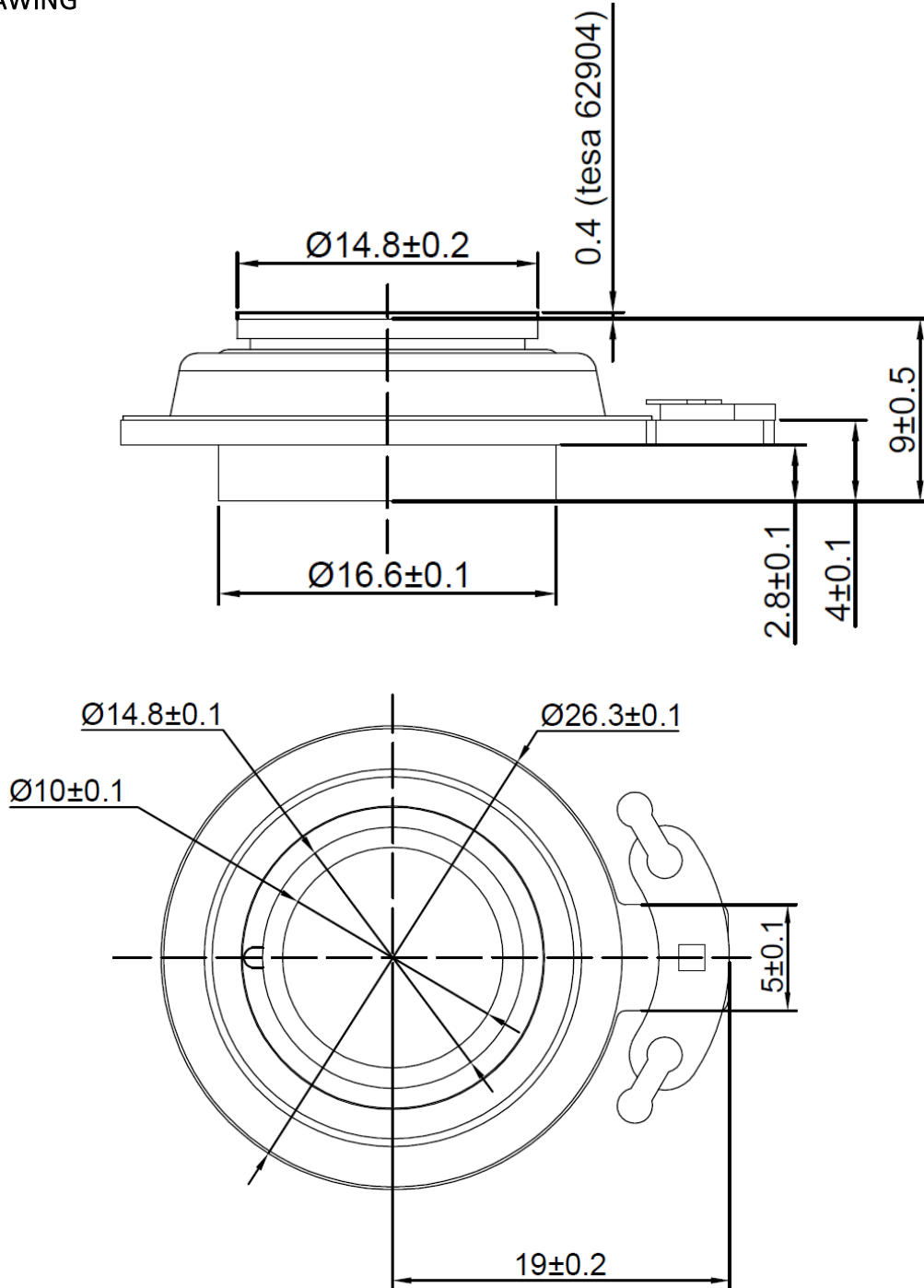


1. SPECIFICATIONS

Parameter	Unit	Conditions / Description	MIN	TYP	MAX
Input Power	W			2 (4Vrms)	3 (4.9Vrms)
Impedance	Ω	At 1.000Hz	6,8	8	9,2
Resonance Frequency	Hz	Self-resonant value	390	550	610
Rub & Buzz		Must be normal at sine wave 2.83Vrms Self-resonant value			
Polarity		Positive voltage to (+), Diaphragm moves forward			
Contact				TAB	
Packaging				TRAY	
Operating Temperature	$^{\circ}\text{C}$		-40		+85
Storage Temperature	$^{\circ}\text{C}$		-40		+85
Weight	g			10	

DESIGNED BY	Michel Schmitz	DATE	2015.07.23	PART NO.	SOE 2608W A	INDEX	A
RELEASED BY	Rabea Richter	DATE	2019.02.18				
CHANGED BY	Rabea Richter	DATE	2019.09.30				
DRAWING NO.	424803243						

2. DRAWING



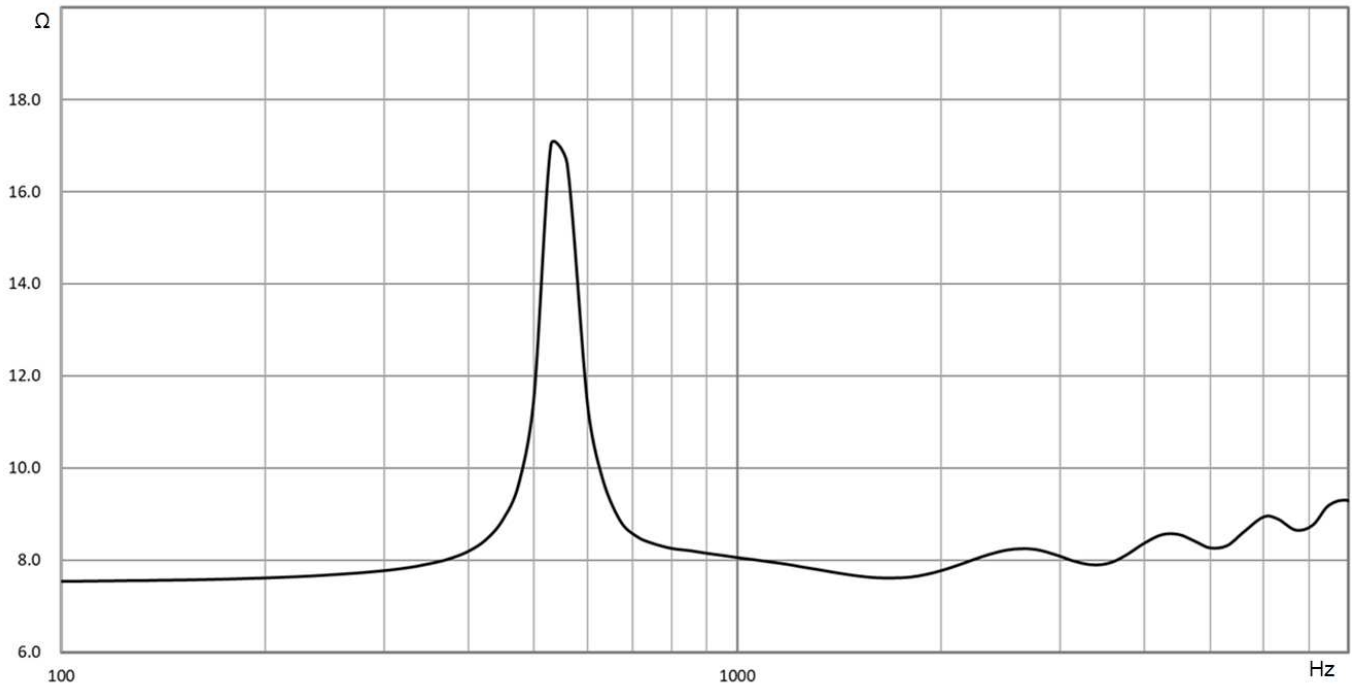
Unit: mm

Tolerance: ± 0.2

DESIGNED BY	Michel Schmitz	DATE	2015.07.23	PART NO.	SOE 2608W A	INDEX	A
RELEASED BY	Rabea Richter	DATE	2019.02.18				
CHANGED BY	Rabea Richter	DATE	2019.09.30				
DRAWING NO.	424803243						

3. IMDEDANCE RESPONSE CURVE (only for reference)

Measured at rated input power 2W



4. RELIABILITY TEST

4.1 Load Test

Power (Nom) 2W (white noise)
Duration 96 hours

4.2 High Temperature Test

Temperature +85 ±2°C
Duration 96 hours

4.3 Low Temperature Test

Temperature -40 ±2°C
Duration 96 hours

4.4 Damp Heat

Temperature +40 ±2°C
Relative Humidity 90~95% RH
Duration 96 hours

4.5 Drop Test

Height 75cm (to concrete floor)
Times 10

4.6 Vibration Test

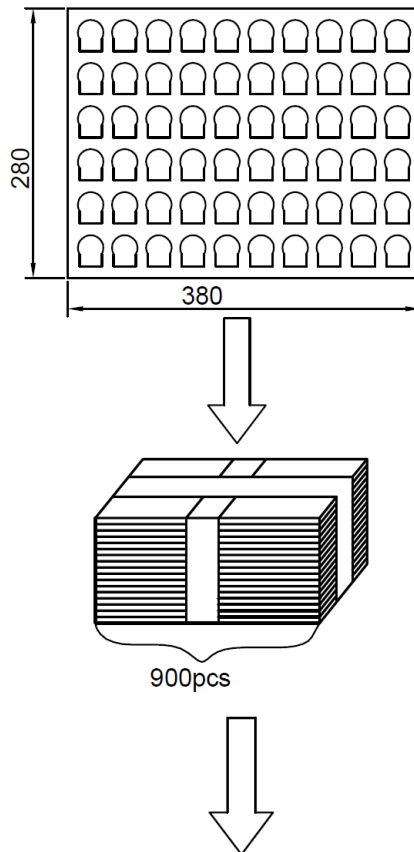
Frequency 30 ±15Hz
Amplitude 1.5mm for 3 hours

Notice: After the test, leave at room temperature for 1 hour. SPL shall not deviate by ±3dB from pre-test measurement and meet above spec. item 5,6,7,8,9

DESIGNED BY	Michel Schmitz	DATE	2015.07.23	PART NO.	SOE 2608W A	INDEX	A
RELEASED BY	Rabea Richter	DATE	2019.02.18				
CHANGED BY	Rabea Richter	DATE	2019.09.30				
DRAWING NO.	424803243						

5. PACKING

5.1 PACKING DRAWING



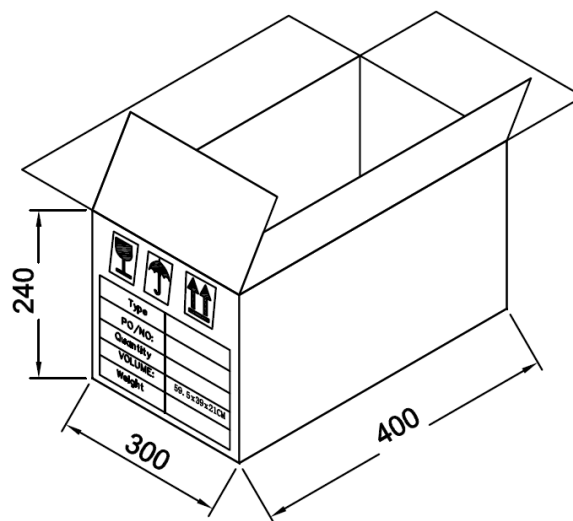
5.2 PACKING QUANTITY

60pcs per tray

15 trays per unit

900pcs per carton in total

Carton size 40x30x24cm



DESIGNED BY	Michel Schmitz	DATE	2015.07.23	PART NO.	SOE 2608W A	INDEX	A
RELEASED BY	Rabea Richter	DATE	2019.02.18				
CHANGED BY	Rabea Richter	DATE	2019.09.30				
DRAWING NO.	424803243						

6. HISTORY CHANGE RECORD

REV	CHANGE ITEMS		DATE
	BEFORE CHANGE	AFTER CHANGE	
1	0.3 (3M 9448)	0.4 (tesa 62904)	2015.10.08
2		Add Test Method and product weight	2019.02.19
3	Component name also EXR2608LA	Component name only SOE2608WA	2019.02.19
4	Old layout	New layout	2019.08.21
5		Remove Test Method, change Impedance Response Curve to newer version	2019.09.30

DESIGNED BY	Michel Schmitz	DATE	2015.07.23	PART NO.	SOE 2608W A	INDEX	A
RELEASED BY	Rabea Richter	DATE	2019.02.18				
CHANGED BY	Rabea Richter	DATE	2019.09.30				
DRAWING NO.	424803243						