

HU Smart A

Backup Alarm

CONTENT

1. SPECIFICATION
2. DRAWING
3. TEST METHOD
4. RELIABILITY TEST
5. PACKING
6. HISTORY CHANGE RECORD



1. SPECIFICATIONS

parameter	unit	conditions / description	MIN	TYP	MAX
Rated Voltage	VDC			12-24	
Operating Voltage	VDC		9		28
Resonance Frequency	Hz		800	1.000	1.200
Current Consumption	mA	At low SPL Mode			300
		At high SPL Mode			400
SPL	db	At rated voltage, in 1m distance, no noise level	77	82	87
	dB	At rated voltage, in 1m distance, Max. noise level	100	102	
IP Rating	IP			67	
On-Off-Cycles	c/min		50	60	70
Tone				PULSE	
Housing Colour				BLACK	
Contact				WIRE	
Packaging				BOX	
Operating Temperature	°C		-20		+70
Storage Temperature	°C		-20		+70
Weight	g			TBD	

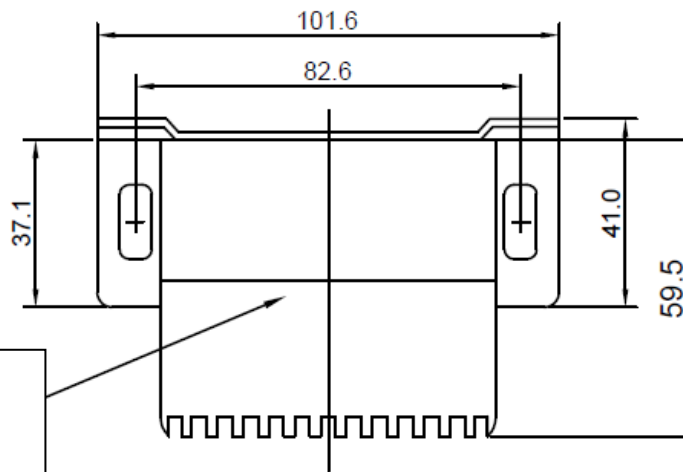
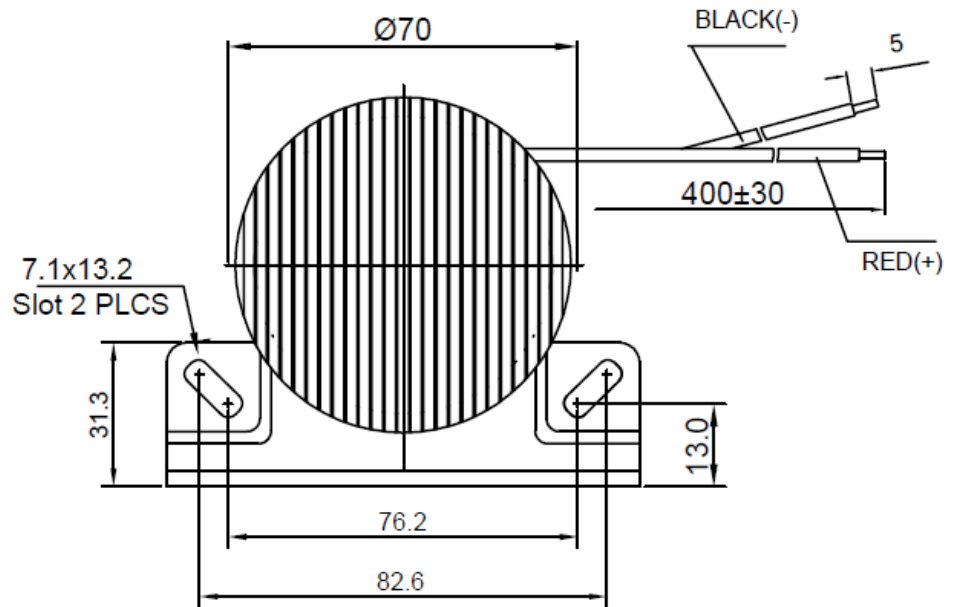
Remark: self-adjustable alarm

DESIGNED BY	Rabea Richter	DATE	2020.03.31	PART NO.	HU Smart A	INDEX	A
RELEASED BY	Christopher Pagel	DATE	2020.03.31				
CHANGED BY		DATE					
DRAWING NO.	436824098						

HU Smart A

Backup Alarm

2. DRAWING



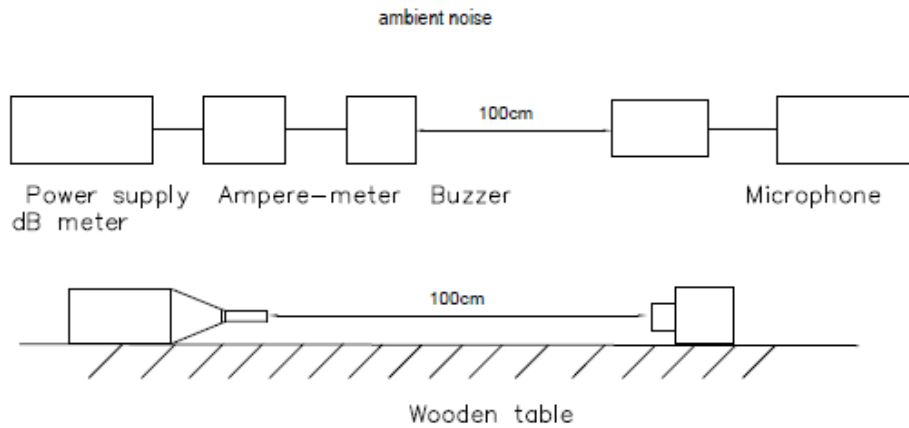
Label:

GREWUS
 HU Smart A
 xx.xx (Datecode)

Unit: mm Tolerance: ±0.3

DESIGNED BY	Rabea Richter	DATE	2020.03.31	PART NO.	HU Smart A	INDEX	A
RELEASED BY	Christopher Pagel	DATE	2020.03.31				
CHANGED BY		DATE					
DRAWING NO.	436824098						

3. TEST METHOD



4. RELIABILITY TEST

4.1 Low Temperature Test

Temperature -20°C
Duration 98 hours

4.2 High Temperature Test

Temperature +70°C
Duration 98 hours

4.3 Humidity Test

Temperature +40°C
Humidity 95% RH
Duration 98 hours

4.4 Durability Test

Testing after 500 hours actual continuous operation

4.5 Shock Withstanding Test

Height 75cm
Direction 3

Notice: No abnormality shall exist.

DESIGNED BY	Rabea Richter	DATE	2020.03.31	PART NO.	HU Smart A	A
RELEASED BY	Christopher Pagel	DATE	2020.03.31			
CHANGED BY		DATE				
DRAWING NO.	436824098					

HU Smart A

Backup Alarm

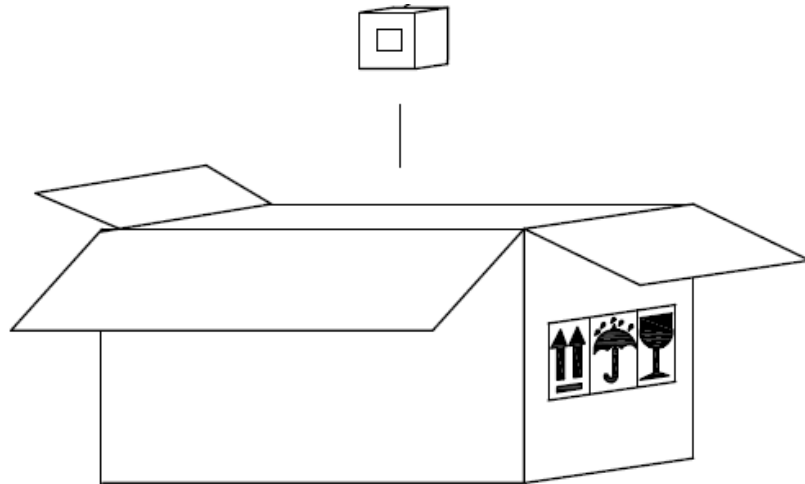
5. PACKING

5.1 PACKING QUANTITY

1pc per box
 Box Size: 102x73x102mm
 Total 50pcs per carton
 Carton Size: 54x38.5x22.5cm

5.2 PACKING CONTENT

1× PE-Bag With -2×Butt-Joint
 2× M6 Screw & Nut
 4× M6 Retaining Ring
 2× M8 Screw & Nut
 4× M8 Retaining Ring



6. HISTORY CHANGE RECORD

REV	CHANGE ITEMS		DATE
	BEFORE CHANGE	AFTER CHANGE	

DESIGNED BY	Rabea Richter	DATE	2020.03.31	PART NO.	HU Smart A	INDEX	A
RELEASED BY	Christopher Pagel	DATE	2020.03.31				
CHANGED BY		DATE					
DRAWING NO.	436824098						