

# HU 97P3-30VB A

BACKUP ALARM

[www.grewus.de](http://www.grewus.de)

## CONTENT

1. SPECIFICATIONS
2. DRAWING
3. TEST METHOD
4. RELIABILITY TEST
5. PACKING
6. HISTORY CHANGE RECORD

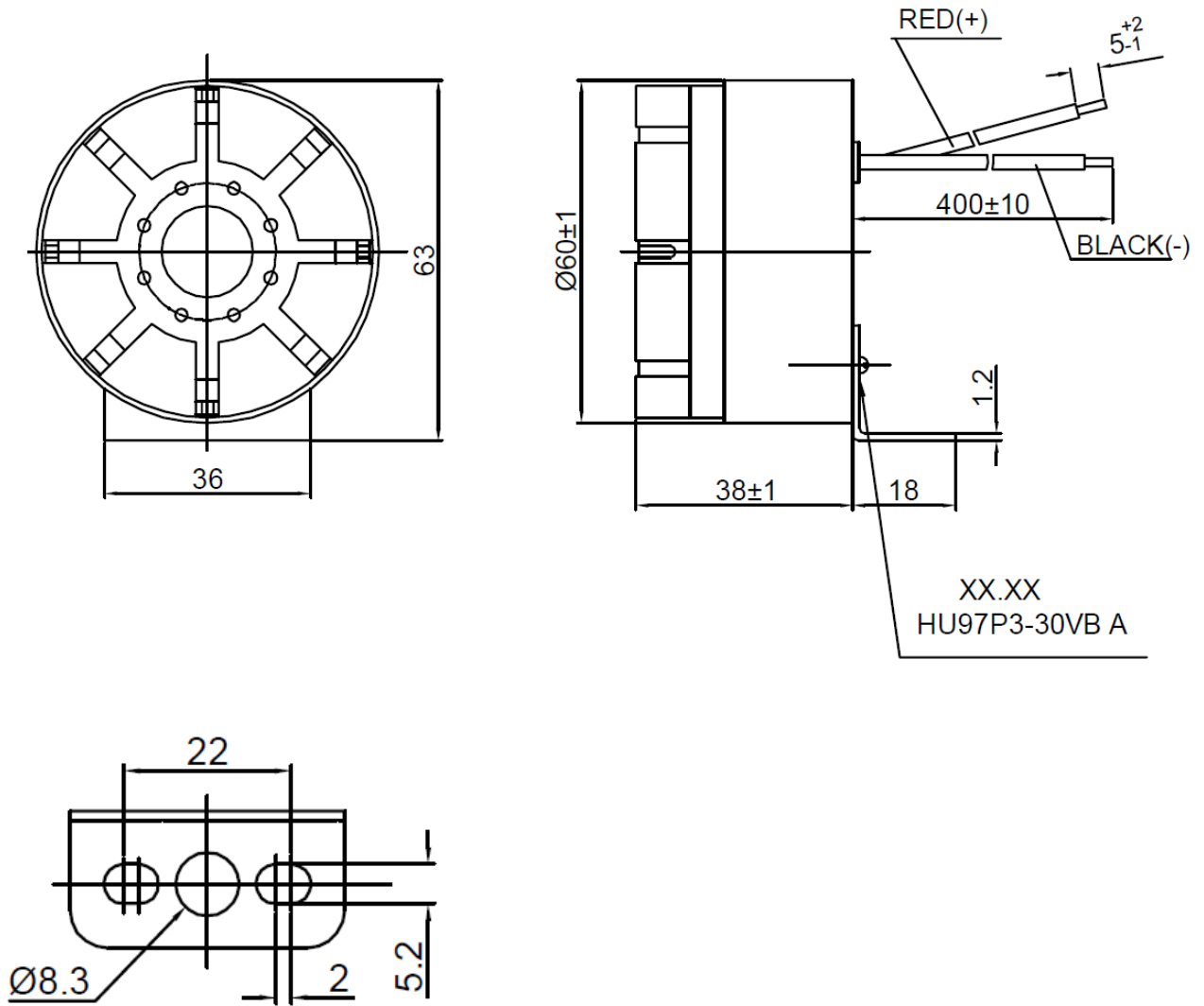


## 1. SPECIFICATIONS

Parameter	Unit	Conditions / Description	MIN	TYP	MAX
Rated Voltage	VDC			12/24	
Operating Voltage	VDC		3.5		30
Current Consumption	mA				300
SPL	dB	At 12VDC, in 1m distance	97		
Resonance Frequency	Hz		2.800	3.000	3.200
Tone Characteristic				PULSE TONE	
On-Off Cycles	C/M		70	80	90
IP Rating	IP			67	
Housing Colour				BLACK	
Contact				WIRE	
Packaging				BOX	
Operating Temperature	°C		-20		+80
Storage Temperature	°C		-20		+80
Weight	g			150	

DESIGNED BY	Ralf Hinnerichs	DATE	2009.09.06	PART NO.	HU 97P3-30VB A	INDEX	A
RELEASED BY	Ralf Hinnerichs	DATE	2009.09.06				
CHANGED BY	Rabea Richter	DATE	2019.09.18				
DRAWING NO.	405264458						

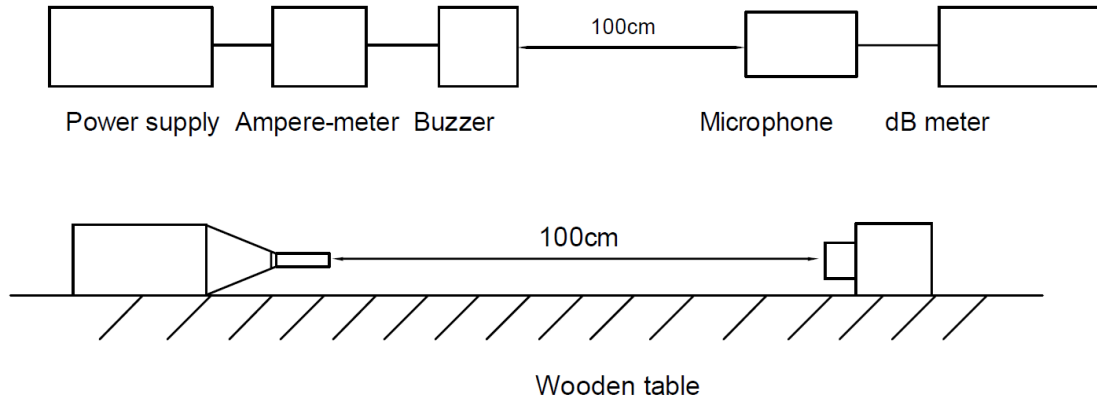
## 2. DRAWING



Tolerance:  $\pm 0.2$  Unit: mm

DESIGNED BY	Ralf Hinnerichs	DATE	2009.09.06	PART NO.	HU 97P3-30VB A	INDEX	A
RELEASED BY	Ralf Hinnerichs	DATE	2009.09.06				
CHANGED BY	Rabea Richter	DATE	2019.09.18				
DRAWING NO.	405264458						

### 3. TEST METHOD



### 4. RELIABILITY TEST

#### 4.1 High Temperature Test

Temperature +80°C  
Duration 98 hours

#### 4.2 Low Temperature Test

Temperature -20°C  
Duration 98 hours

#### 4.3 Durability Test

Duration 1000 hours actual continuous operation

#### 4.4 Humidity Test

Temperature +40°C  
Humidity 95% RH  
Duration 98 hours

#### 4.5 Drop Test

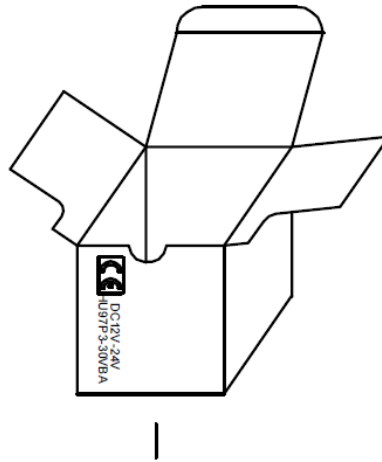
Height 75 cm (to the ground)

#### 4.6 Vibration Test

Cycles 2000 cycles per minute  
Amplitude 2mm  
Direction x, y, z three directions for 30 minutes each

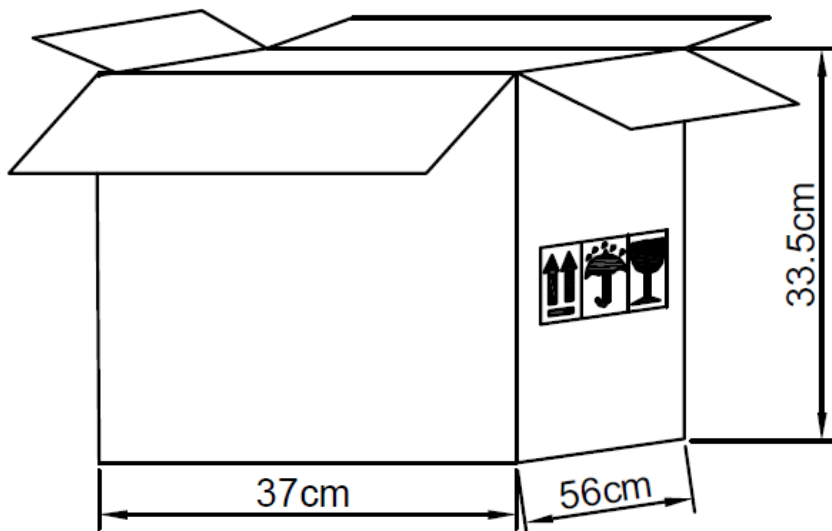
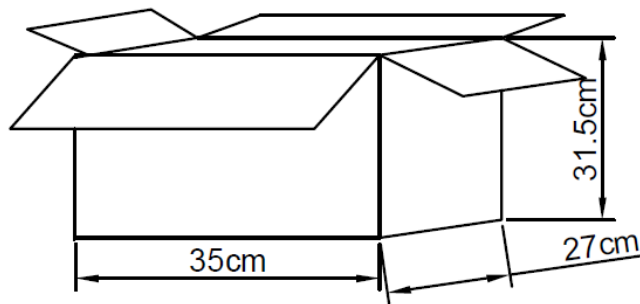
DESIGNED BY	Ralf Hinnerichs	DATE	2009.09.06	PART NO.	HU 97P3-30VB A	INDEX	A
RELEASED BY	Ralf Hinnerichs	DATE	2009.09.06				
CHANGED BY	Rabea Richter	DATE	2019.09.18				
DRAWING NO.	405264458						

## 5. PACKING



### 5.1 PACKING QUANTITY

1pc per box  
 100 boxes per middle carton  
 Middle carton size: 35x27x31.5cm  
 2 middle cartons per carton  
 200pcs per carton in total  
 Carton size: 37x33.5x56cm



DESIGNED BY	Ralf Hinnerichs	DATE	2009.09.06	PART NO.	HU 97P3-30VB A	INDEX	A
RELEASED BY	Ralf Hinnerichs	DATE	2009.09.06				
CHANGED BY	Rabea Richter	DATE	2019.09.18				
DRAWING NO.	405264458						

6. HISTORY CHANGE RECORD

REV	CHANGE ITEMS		DATE
	BEFORE CHANGE	AFTER CHANGE	
1		Add Reliability Test	2011.02.22
2	Old Layout	New Layout	2019.09.17

DESIGNED BY	Ralf Hinnerichs	DATE	2009.09.06	PART NO.  HU 97P3-30VB A	INDEX  A
RELEASED BY	Ralf Hinnerichs	DATE	2009.09.06		
CHANGED BY	Rabea Richter	DATE	2019.09.18		
DRAWING NO.	405264458				