

# HU 2SPL-Speaker-03 A

Backup Alarm

[www.grewus.de](http://www.grewus.de)

## CONTENT

1. SPECIFICATION
2. DRAWING
3. TEST METHOD
4. RELIABILITY TEST
5. PACKING
6. HISTORY CHANGE RECORD



## SPECIFICATIONS

parameter	unit	conditions / description	MIN	TYP	MAX
Rated Voltage	Vdc			12/24	
Operating Voltage	Vdc		11		28
Resonance Frequency	Hz		700	1.000	1.300
Current Consumption	mA				300
SPL	dbA	SPL1, in 1m distance	93	96	99
	dbA	SPL2, in 1m distance	77	80	83
IP Rating	IP			67	
RoHS conform				YES	
On/Off	Cycles/min		60	80	100
Tone		Red(+) & Black(-)		PULSE	
Housing Colour				BLACK	
Contact				CONNECTOR	
Packaging				BOX	
Operating Temperature	°C		-20		+80
Storage Temperature	°C		-20		+80
Weight	g		100	110	120

### Remark:

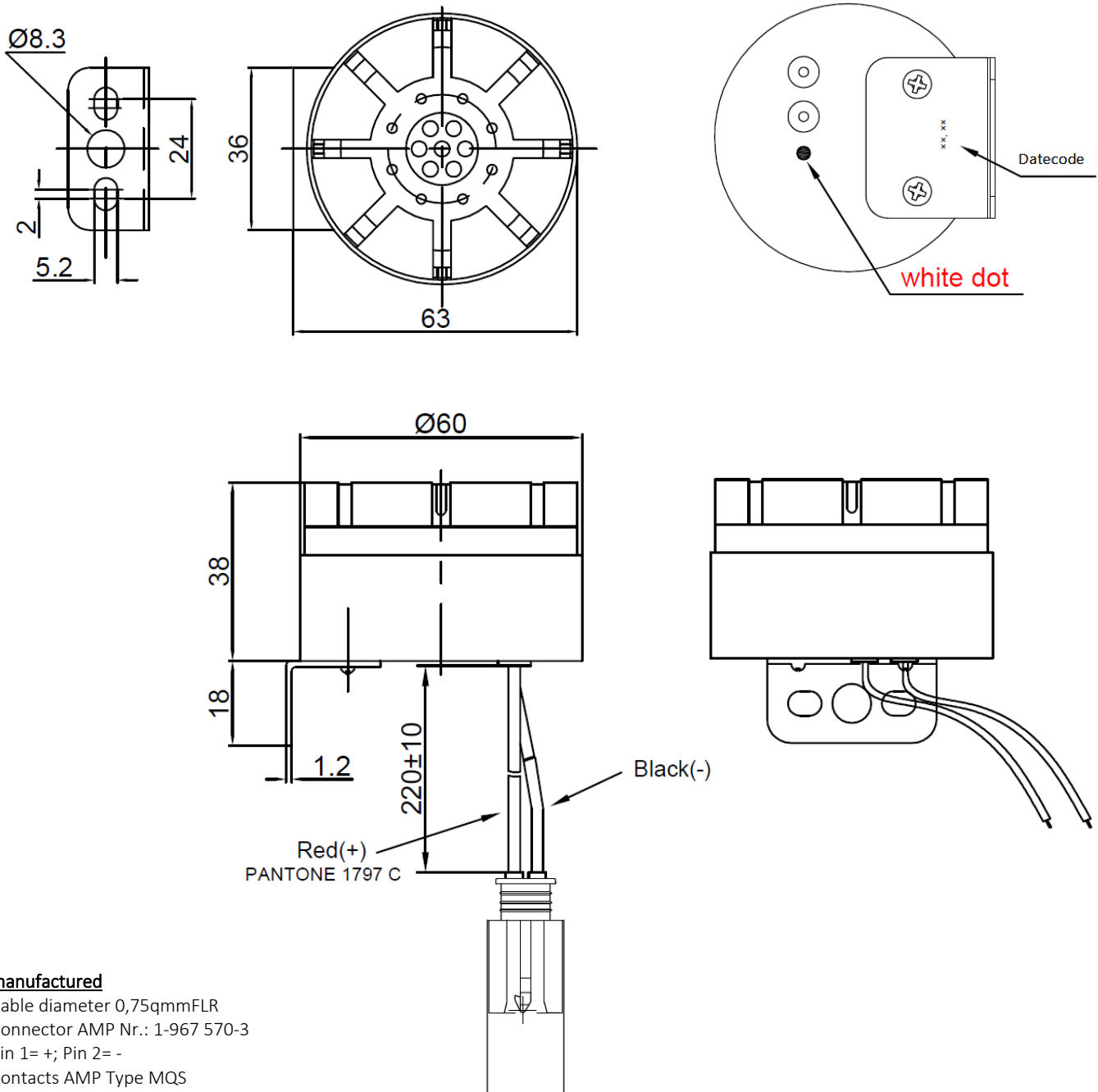
- a.) Trigger with power supply, the alarm begins after a short delay with SPL1
- b.) interrupt power max 1.5s, then trigger again, the alarm will switch to SPL2
- c.) if interruption of power is longer than 1.5s, trigger power again, it will get SPL1

DESIGNED BY	Rabea Richter	DATE	2019.10.30	PART NO.	HU 2SPL-Speaker-03 A	INDEX	A
RELEASED BY	Uwe Bartsch	DATE	2019.10.30				
CHANGED BY	Christopher Pagel	DATE	2021.03.03				
DRAWING NO.	436825004						

## HU 2SPL-Speaker-03 A

Backup Alarm

### 2. DRAWING



#### manufactured

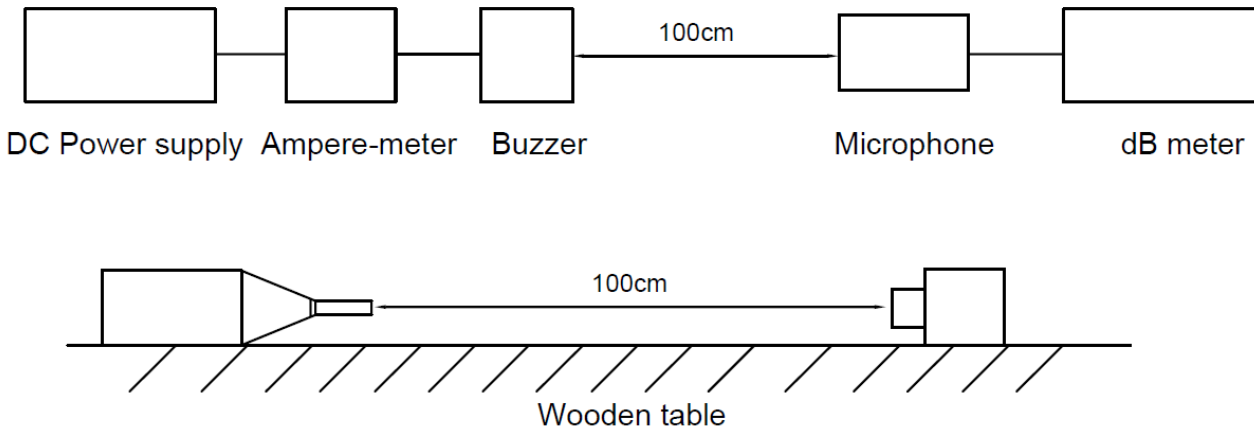
Cable diameter 0,75qmmFLR  
 Connector AMP Nr.: 1-967 570-3  
 Pin 1= +; Pin 2= -  
 Contacts AMP Type MQS  
 Tyco No.965 908-1  
 Single seal AMP No.: 967 067-1

DESIGNED BY	Rabea Richter	DATE	2019.10.30	PART NO.	HU 2SPL-Speaker-03 A	INDEX	A
RELEASED BY	Uwe Bartsch	DATE	2019.10.30				
CHANGED BY	Christopher Pagel	DATE	2021.03.03				
DRAWING NO.	436825004						

# HU 2SPL-Speaker-03 A

Backup Alarm

## 3. TEST METHOD



## 4. RELIABILITY TEST

### 4.1 Low Temperature Test

Temperature -20°C  
Duration 98 hours

### 4.2 High Temperature Test

Temperature +80°C  
Duration 98 hours

### 4.3 Humidity Test

Temperature +40°C  
Humidity 95% RH  
Duration 98 hours

### 4.4 Durability Test

Duration Testing after 1000 hours  
actual continuous operation

### 4.5 Drop Test

Height 70cm to the surface of a 10mm thick wooden board

### 4.6 Vibration Test

Cycles 2000 cycles per minute  
Amplitude 2 mm  
Directions x, y, z Three directions for 30min each

4.1-4.3 Speaker should be measured after 2 hours exposed in normal temperature, after each test, no abnormality shall exist.

DESIGNED BY	Rabea Richter	DATE	2019.10.30	PART NO.	HU 2SPL-Speaker-03 A	INDEX	A
RELEASED BY	Uwe Bartsch	DATE	2019.10.30				
CHANGED BY	Christopher Pagel	DATE	2021.03.03				
DRAWING NO.	436825004						

## HU 2SPL-Speaker-03 A

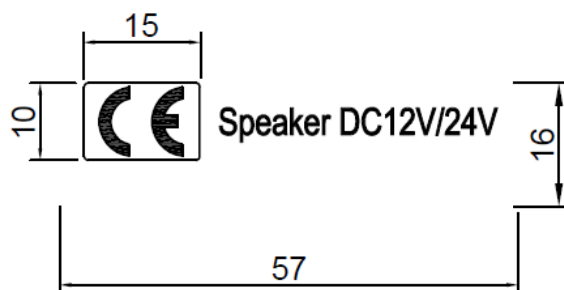
Backup Alarm

### 5. PACKING

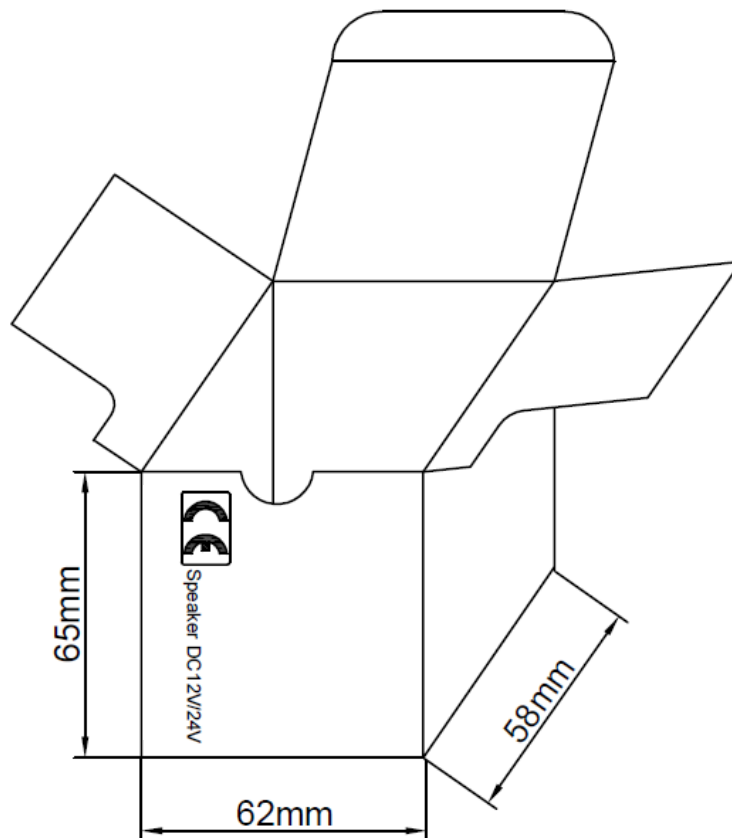
#### 5.1 PACKING QUANTITY

1 pc per box  
 Box Size: 62x58x65 (mm)  
 100 pcs per middle carton  
 2 middle cartons per carton  
 Total 200pcs per carton  
 Carton Size: 37x33.5x56(cm)

#### 5.2 PACKING DRAWING



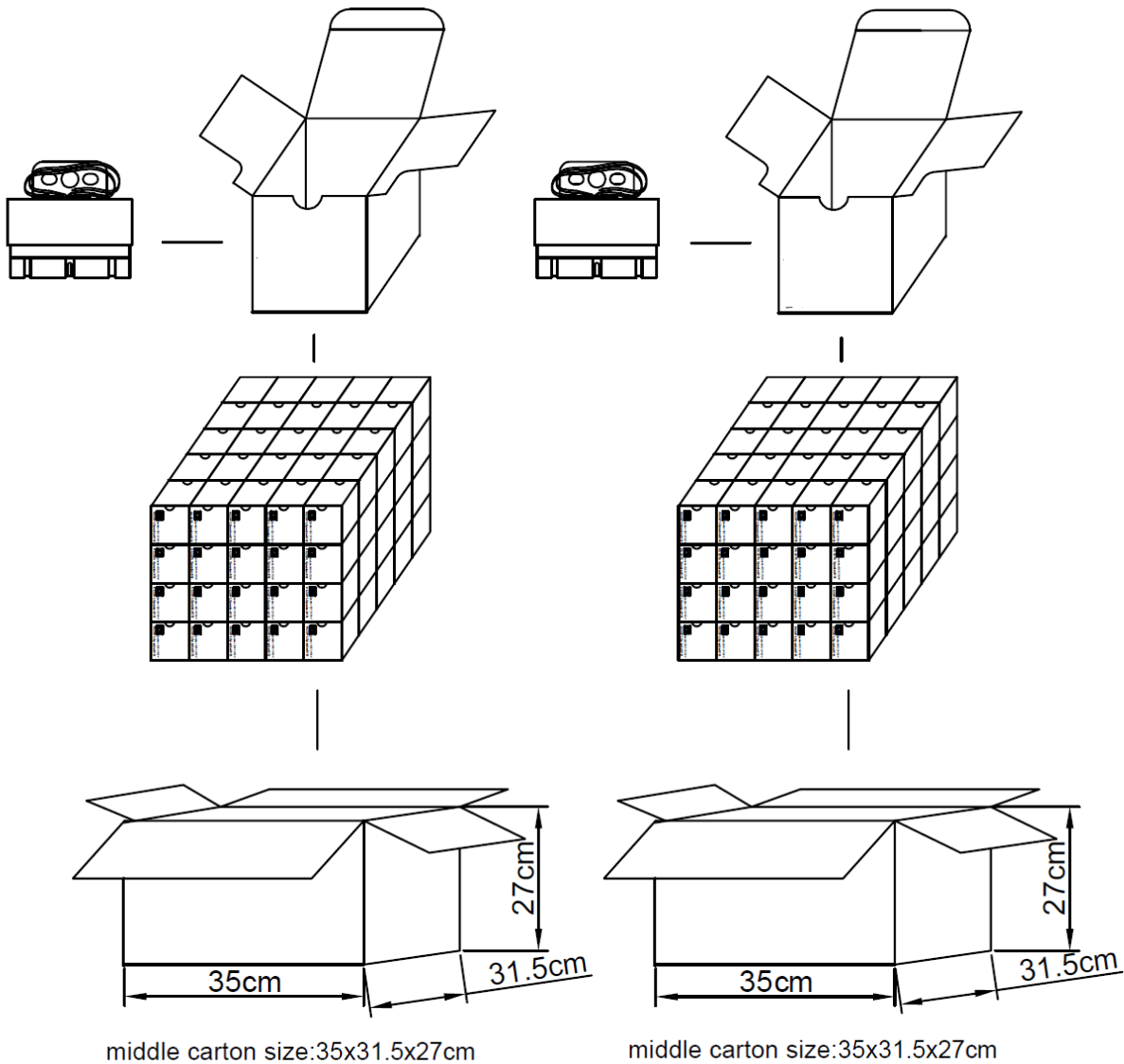
Accessories in the box: self-styled bag  
 with 2 pcs  $\phi 5 \times 16$  screws and 2 pcs  $\phi 5$  nuts



DESIGNED BY	Rabea Richter	DATE	2019.10.30	PART NO.	HU 2SPL-Speaker-03 A	INDEX	A
RELEASED BY	Uwe Bartsch	DATE	2019.10.30				
CHANGED BY	Christopher Pagel	DATE	2021.03.03				
DRAWING NO.	436825004						

## HU 2SPL-Speaker-03 A

Backup Alarm



DESIGNED BY	Rabea Richter	DATE	2019.10.30	PART NO.	HU 2SPL-Speaker-03 A	INDEX	A
RELEASED BY	Uwe Bartsch	DATE	2019.10.30				
CHANGED BY	Christopher Pagel	DATE	2021.03.03				
DRAWING NO.	436825004						

6. HISTORY CHANGE RECORD

REV	CHANGE ITEMS		DATE
	BEFORE CHANGE	AFTER CHANGE	
A		Added connector specification	03.03.2021

DESIGNED BY	Rabea Richter	DATE	2019.10.30	PART NO.	HU 2SPL-Speaker-03 A	INDEX	A
RELEASED BY	Uwe Bartsch	DATE	2019.10.30				
CHANGED BY	Christopher Pagel	DATE	2021.03.03				
DRAWING NO.	436825004						