

HU 110P24VB A

Backup Alarm

www.grewus.de

CONTENT

1. SPECIFICATION
2. DRAWING
3. TEST METHOD
4. RELIABILITY TEST
5. PACKING
6. HISTORY CHANGE RECORD

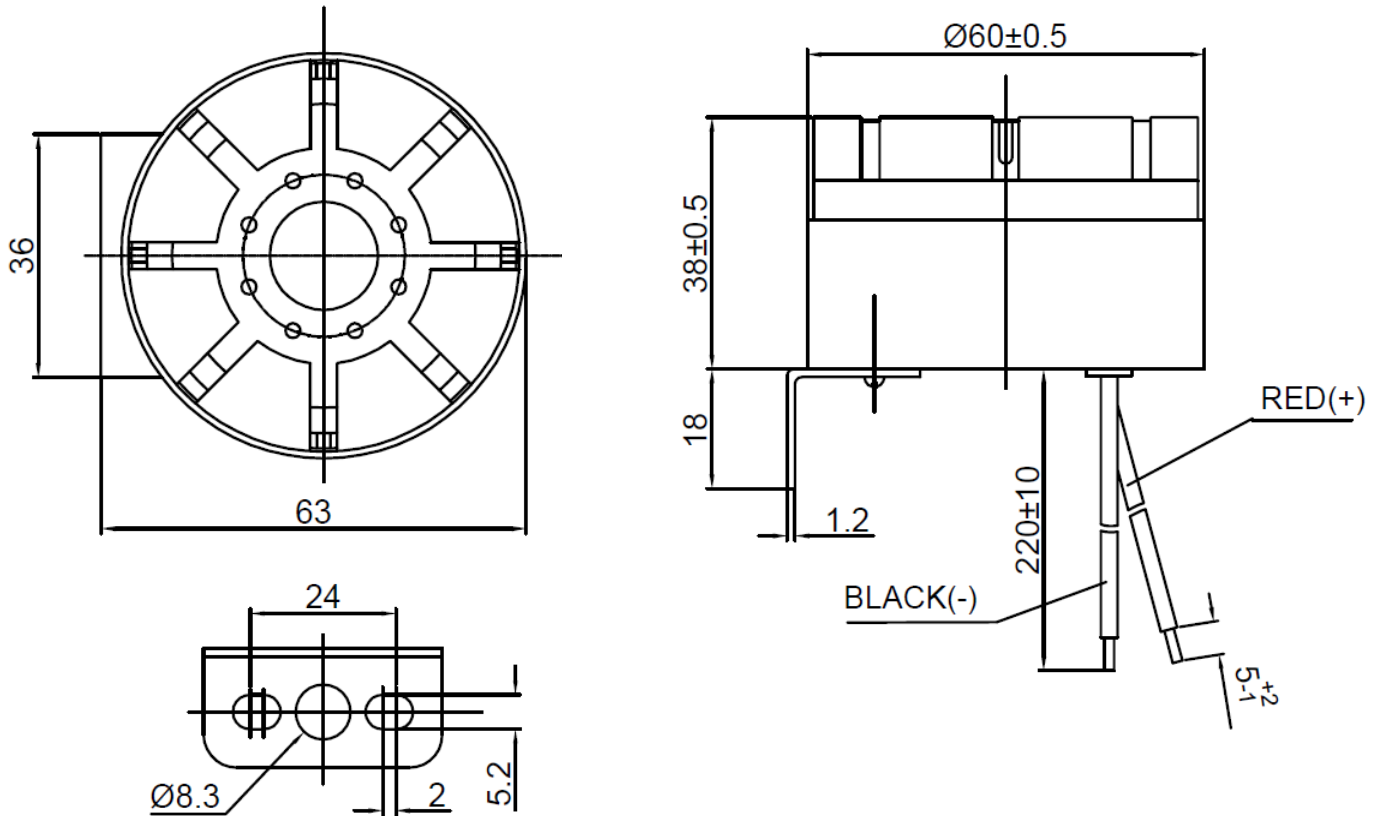


1. SPECIFICATIONS

parameter	unit	conditions / description	MIN	TYP	MAX
Rated Voltage	VDC			24	
Operating Voltage	VDC		15		30
Resonance Frequency	Hz	At rated voltage	2.800	3.000	3.200
Current Consumption	mA	At rated voltage			300
SPL	db	At rated voltage, in 1m distance	110		
IP Rating	IP			67	
On-Off-Cycles	c/min		70	80	90
Tone				PULSE	
Housing Colour				BLACK	
Contact				WIRE	
Packaging				BOX	
Operating Temperature	°C		-20		+85
Storage Temperature	°C		-20		+85
Weight	g			170	

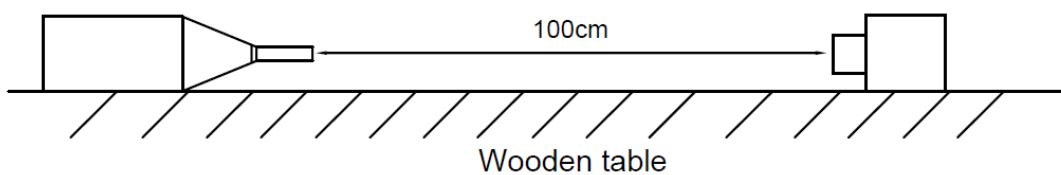
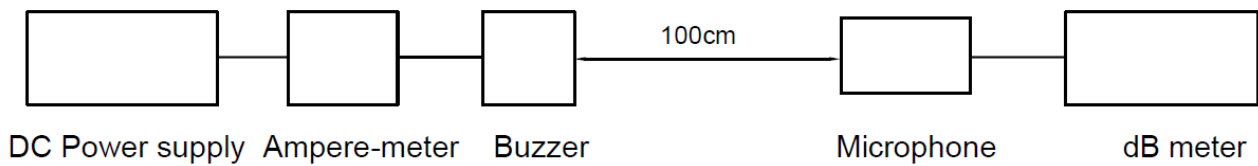
DESIGNED BY	Rabea Richter	DATE	2020.03.04	PART NO.	HU 110P24VB A	INDEX	A
RELEASED BY	Uwe Bartsch	DATE	2020.03.04				
CHANGED BY	Rabea Richter	DATE	2020.03.30				
DRAWING NO.	436824068						

2. DRAWING



Unit: mm Tolerance: ± 0.3

3. TEST METHOD



DESIGNED BY	Rabea Richter	DATE	2020.03.04	PART NO.	HU 110P24VB A	INDEX	A
RELEASED BY	Uwe Bartsch	DATE	2020.03.04				
CHANGED BY	Rabea Richter	DATE	2020.03.30				
DRAWING NO.	436824068						

HU 110P24VB A

Backup Alarm

4. RELIABILITY TEST

4.1 Low Temperature Test

Temperature -20°C
Duration 98 hours

4.2 High Temperature Test

Temperature +85°C
Duration 98 hours

4.3 Humidity Test

Temperature +40°C
Humidity 95% RH
Duration 98 hours

4.4 Durability Test

Power 30 seconds ON, then 30 seconds OFF
Rated Voltage 24VDC
Temperature Room Temperature
Duration 1000 hours

4.5 Drop Test

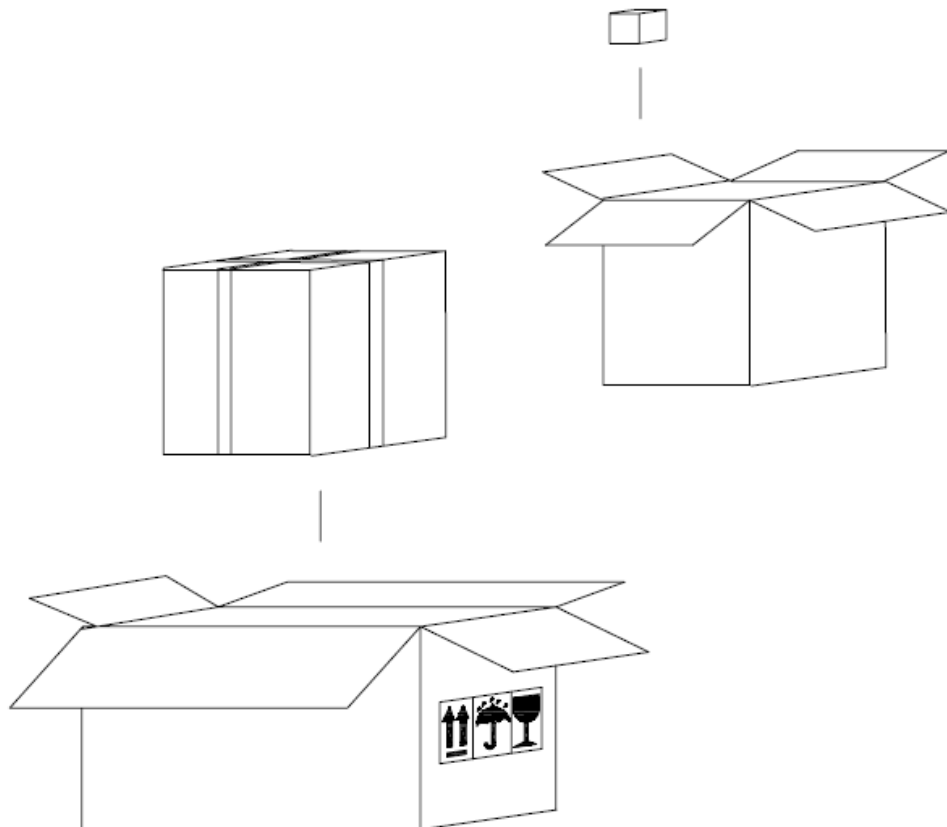
Height 75cm to the ground

Notice: 1. For each test 4.1--4.3, the measurement should be done after exposed in normal temperature for 2 hours.
2. After each test, no abnormality shall exist.

5. PACKING

5.1 PACKING QUANTITY

1pc per box
100pcs per middle carton
2 middle cartons per carton
Total 200pcs per carton
Carton Size: 56x37x33.5cm



DESIGNED BY	Rabea Richter	DATE	2020.03.04	PART NO.	HU 110P24VB A	INDEX	A
RELEASED BY	Uwe Bartsch	DATE	2020.03.04				
CHANGED BY	Rabea Richter	DATE	2020.03.30				
DRAWING NO.	436824068						

6. HISTORY CHANGE RECORD

REV	CHANGE ITEMS		DATE
	BEFORE CHANGE	AFTER CHANGE	
1		Add product picture, add Durability Test	2020.03.30

DESIGNED BY	Rabea Richter	DATE	2020.03.04	PART NO. HU 110P24VB A	INDEX A
RELEASED BY	Uwe Bartsch	DATE	2020.03.04		
CHANGED BY	Rabea Richter	DATE	2020.03.30		
DRAWING NO.	436824068				