

HB 110C-01 A

BACKUP ALARM

CONTENT

1. Specifications
2. Drawing
3. Test Method
4. Reliability Test
5. Packing
6. History Change Record

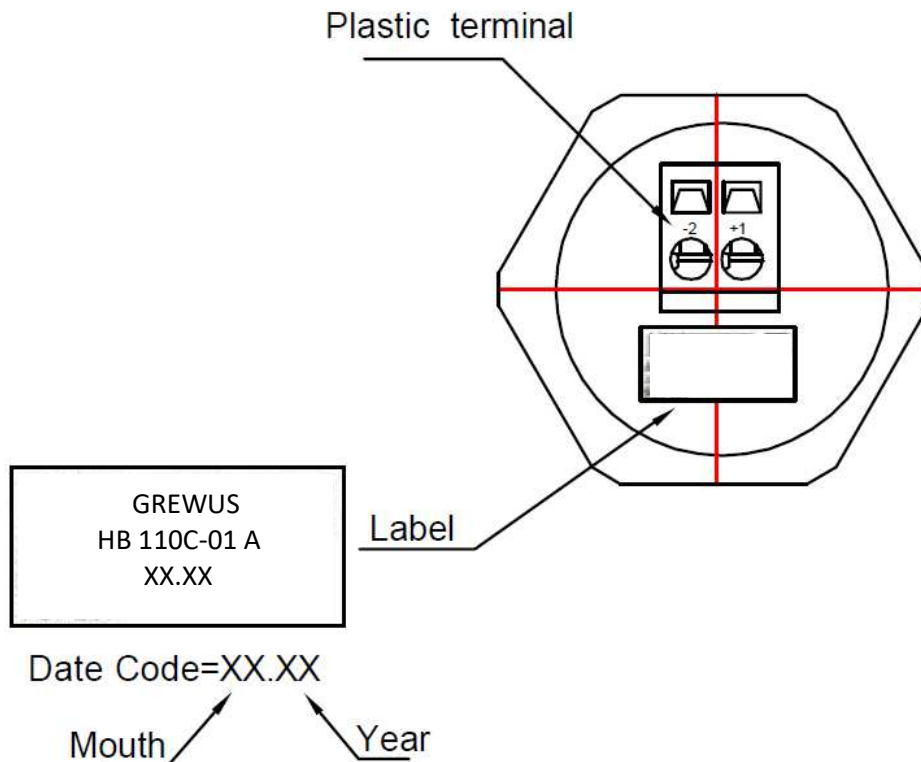
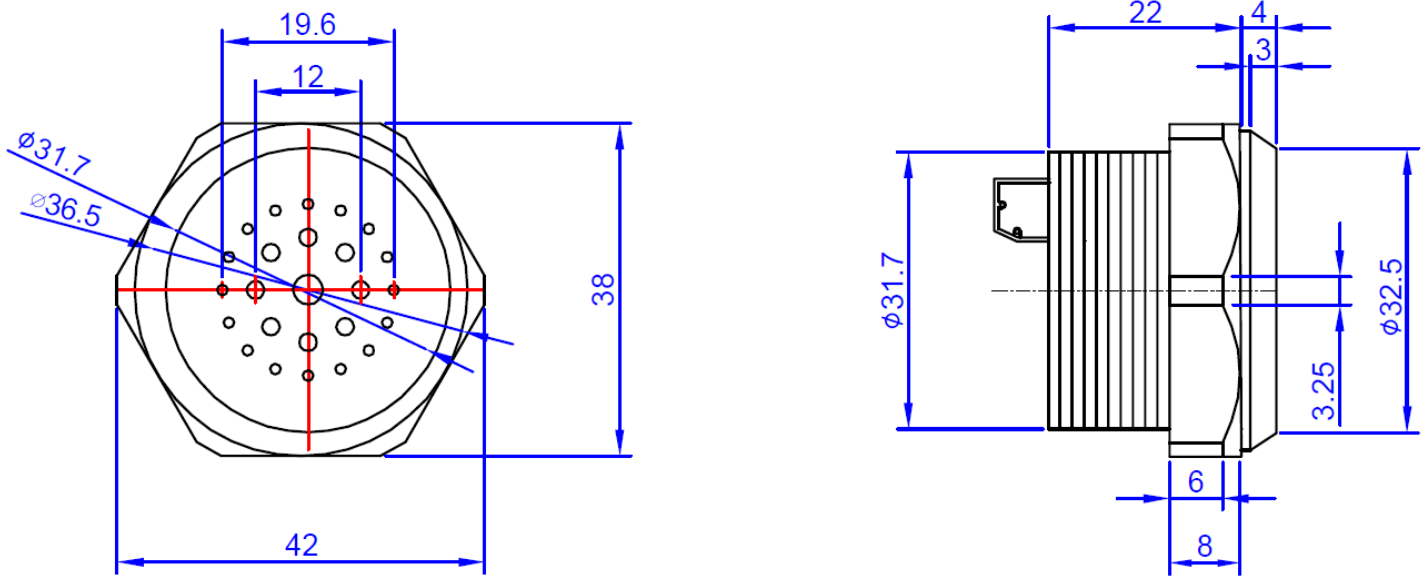


1. SPECIFICATIONS

Parameter	Unit	Conditions / Description	MIN	TYP	MAX
Operating Voltage	VDC		88		132
Rated Voltage	VDC			110	
SPL	dB	At rated voltage, in 1m distance	82		
Current Consumption	mA	At rated voltage			10
Resonance Frequency	Hz		2.500	3.000	3.500
IP Rating	IP			65	
Tone		Pin1(+) and Pin2 (-)		CONSTANT	
Contact				TERMINAL	
Housing Colour				RAL 9010 WHITE	
Packaging				BOX	
Operating Temperature	°C		-25		+70
Storage Temperature	°C		-25		+80
Weight	g		32	40	48

DESIGNED BY	Rabea Richter	DATE	2020.03.25	PART NO.	HB 110C-01 A	INDEX	A
RELEASED BY	Christopher Pagel	DATE	2020.03.25				
CHANGED BY		DATE					
DRAWING NO.	436824074						

2. DRAWING

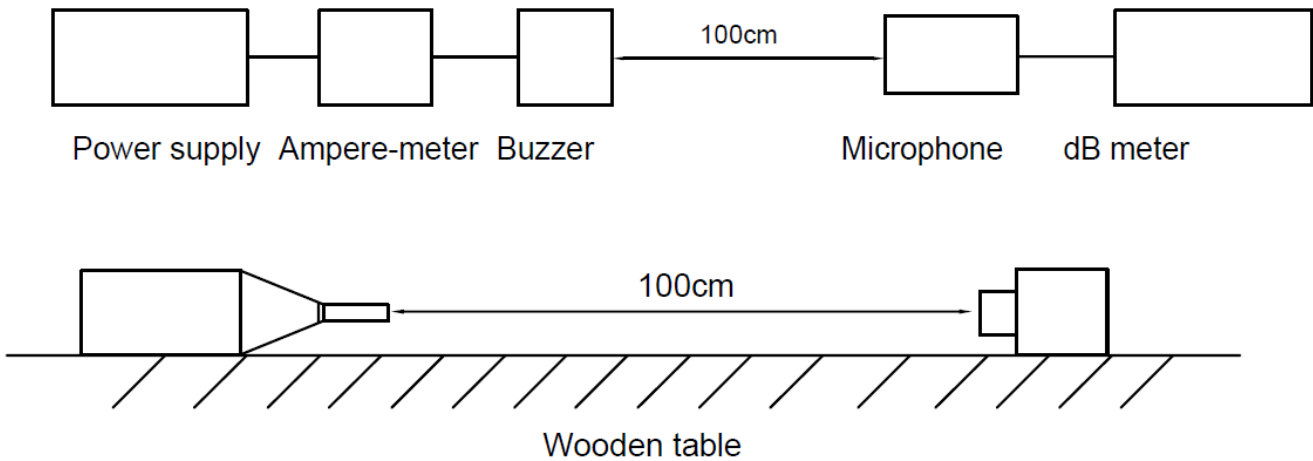


Unit: mm

Tolerance: ±0.3mm

DESIGNED BY	Rabea Richter	DATE	2020.03.25	PART NO.	HB 110C-01 A	INDEX	A
RELEASED BY	Christopher Pagel	DATE	2020.03.25				
CHANGED BY		DATE					
DRAWING NO.	436824074						

3. TEST METHOD



4. RELIABILITY TEST

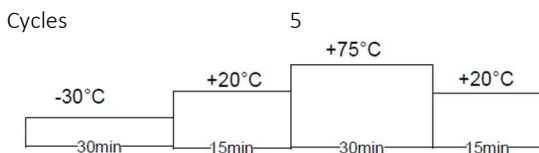
4.1 High Temperature Test

Temperature +75°C
Duration 96 hours

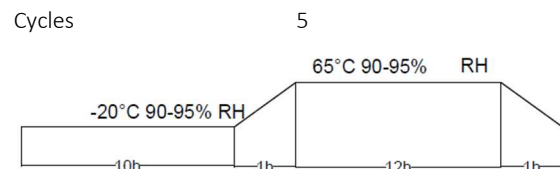
4.2 Low Temperature Test

Temperature -30°C
Duration 96 hours

4.3 Temperature Cycle Test



4.4 Humidity Cycle Test



All these tests above should be measured after leaving normal temperature for 3 hours.

4.5 Drop Test

Height 100cm (to 10mm thick wooden board)
Direction 3 (x, y, z)

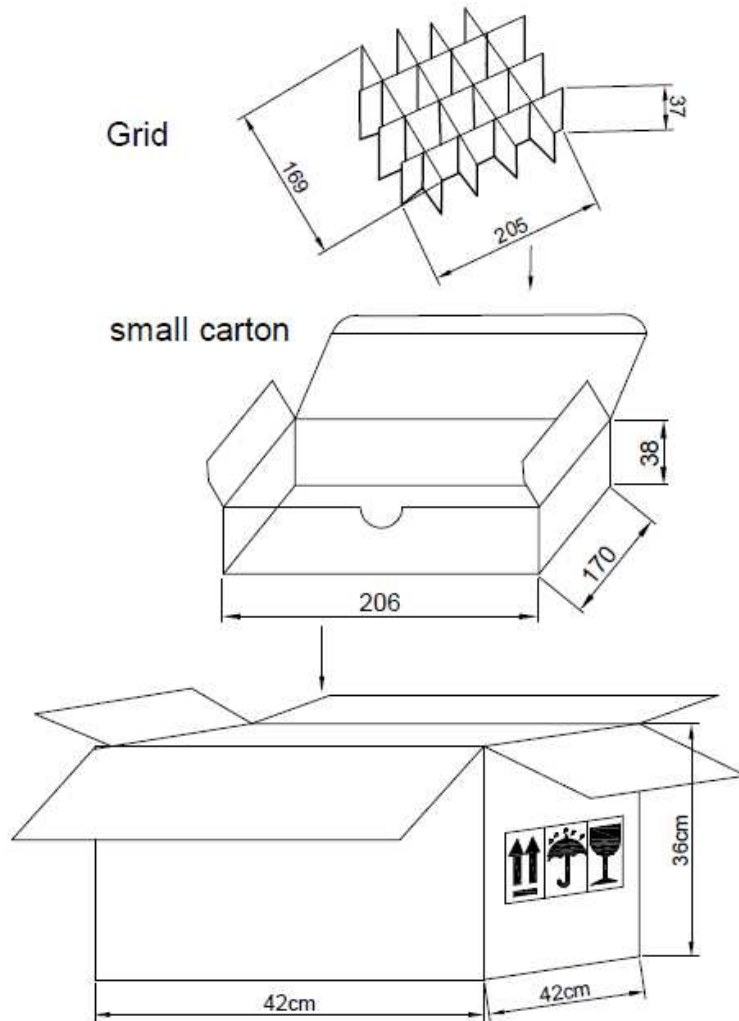
Notice: All specification must be satisfied in this condition.

DESIGNED BY	Rabea Richter	DATE	2020.03.25	PART NO.	HB 110C-01 A	INDEX	A
RELEASED BY	Christopher Pagel	DATE	2020.03.25				
CHANGED BY		DATE					
DRAWING NO.	436824074						

5. PACKING

5.1 PACKING QUANTITY

20pcs per box
800pcs per carton in total
Carton size 42x42x36cm



6. HISTORY CHANGE RECORD

REV	CHANGE ITEMS		DATE
	BEFORE CHANGE	AFTER CHANGE	

DESIGNED BY	Rabea Richter	DATE	2020.03.25	PART NO.	HB 110C-01 A	INDEX	A
RELEASED BY	Christopher Pagel	DATE	2020.03.25				
CHANGED BY		DATE					
DRAWING NO.	436824074						