

**CONTENT**

- 1. Specifications
- 2. Drawing
- 3. Test Method
- 4. Reliability Test
- 5. Packing
- 6. History Change Record

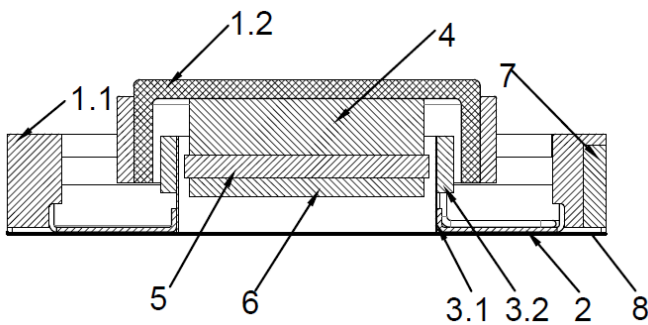
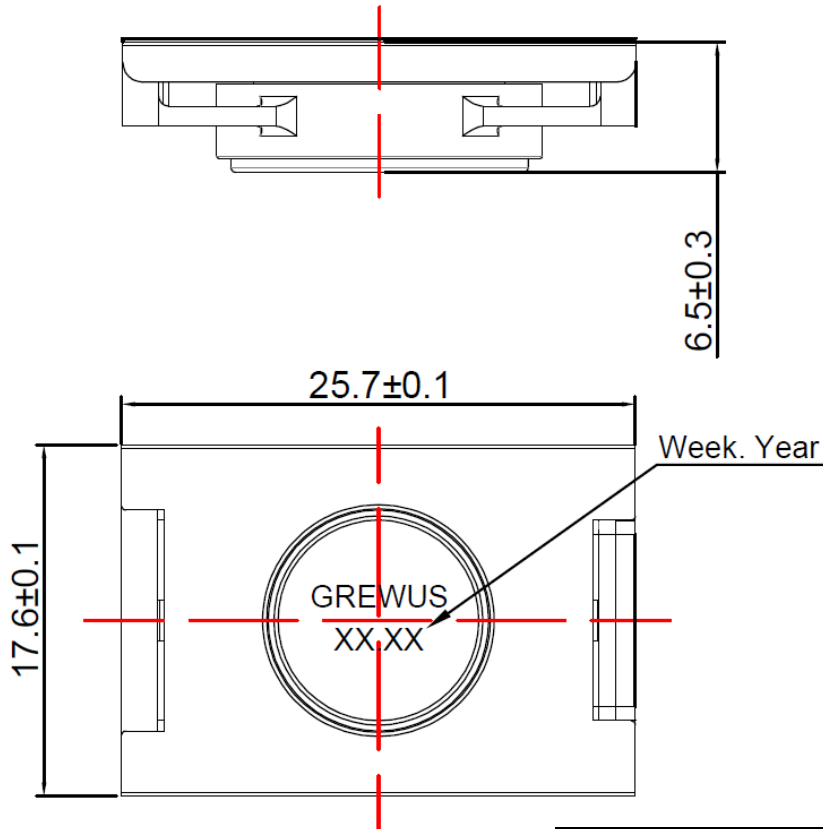


**1. SPECIFICATIONS**

Parameter	Unit	Conditions / Description	MIN	TYP	MAX
Input Power	W			0.5	1
AC Impedance	$\Omega$	At 1.000Hz	6,8	8	9,2
Resonance Frequency	Hz		96	120	144
Frequency Response	Hz		F0		10.000
Acceleration	Grms	At 2Vrms, at 100g jig	1.5		
Moving Mass	g		4.4	4.6	4.8
Displacement	mm		0.9	1	1.1
Buzz & Rattle		Must be normal at sine wave 2Vrms			
Polarity		Positive voltage to (+), Diaphragm moves forward			
Contact				TERMINAL	
Packaging				TRAY	
Operating Temperature	$^{\circ}\text{C}$		-40		+85
Storage Temperature	$^{\circ}\text{C}$		-40		+85
Weight	g			6,65	

DESIGNED BY	Christopher Müller	DATE	2017.03.15	PART NO.	EXS 2608L-03 A	INDEX	A
RELEASED BY	Anouschka Esselun	DATE	2018.12.17				
CHANGED BY	Rabea Richter	DATE	2020.01.13				
DRAWING NO.	428096250						

## 2. DRAWING



No.	Part Name	Quantity
1	Chassis Assembly	1
1.1	Chassis	1
1.2	Magnet Cup	1
2	Base	1
3	Voice Coil Assembly	1
3.1	Voice Coil Former	1
3.2	Voice Coil	1
4	Magnet	1
5	Pole Piece	1
6	Sub-Magnet	1
7	Terminals	1
8	Adhesive	1

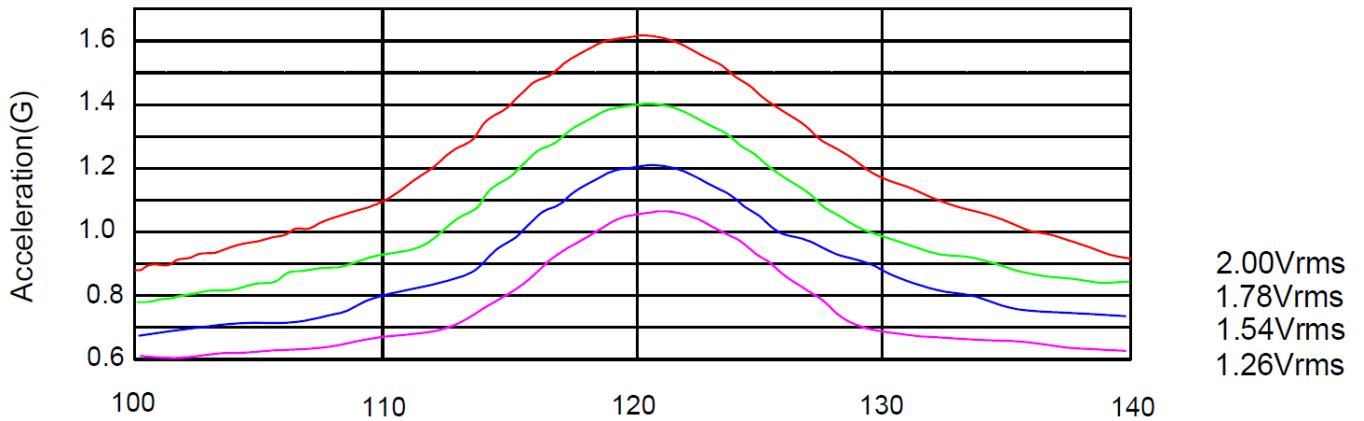
Unit: mm

Tolerance: ±0.2

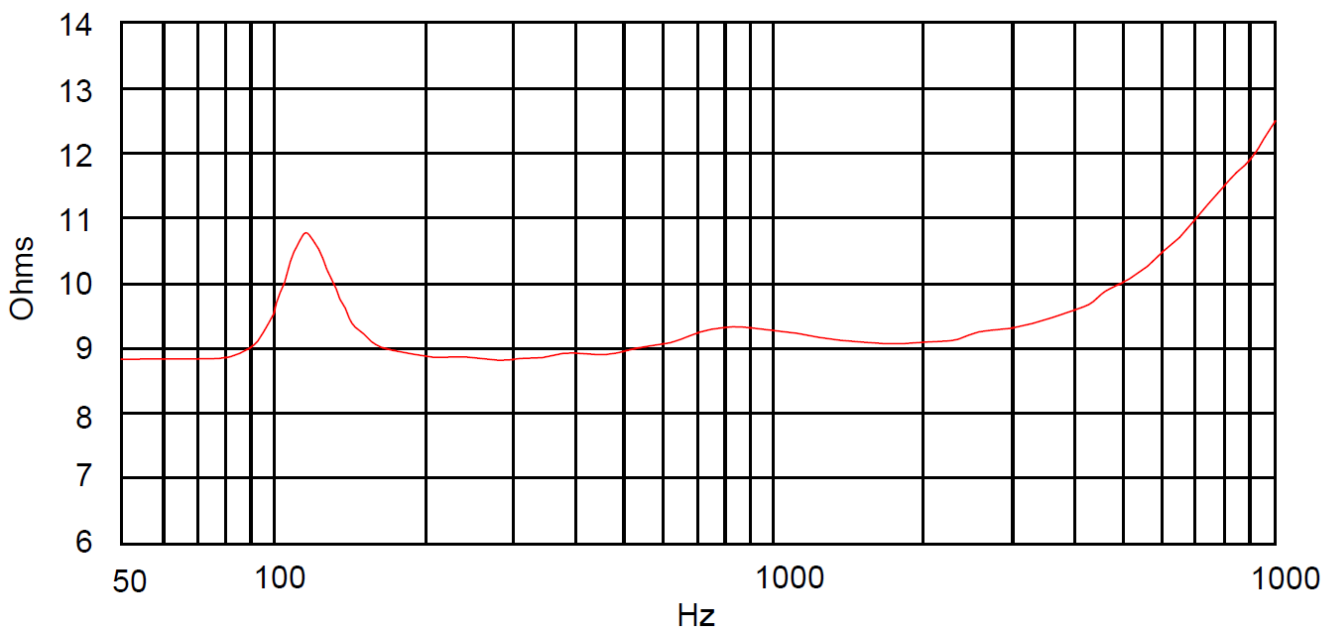
DESIGNED BY	Christopher Müller	DATE	2017.03.15	PART NO.	EXS 2608L-03 A	INDEX	A
RELEASED BY	Anouschka Esselun	DATE	2018.12.17				
CHANGED BY	Rabea Richter	DATE	2020.01.13				
DRAWING NO.	428096250						

### 3. TEST METHOD

#### 3.1 ACCELERATION CHARACTERISTICS



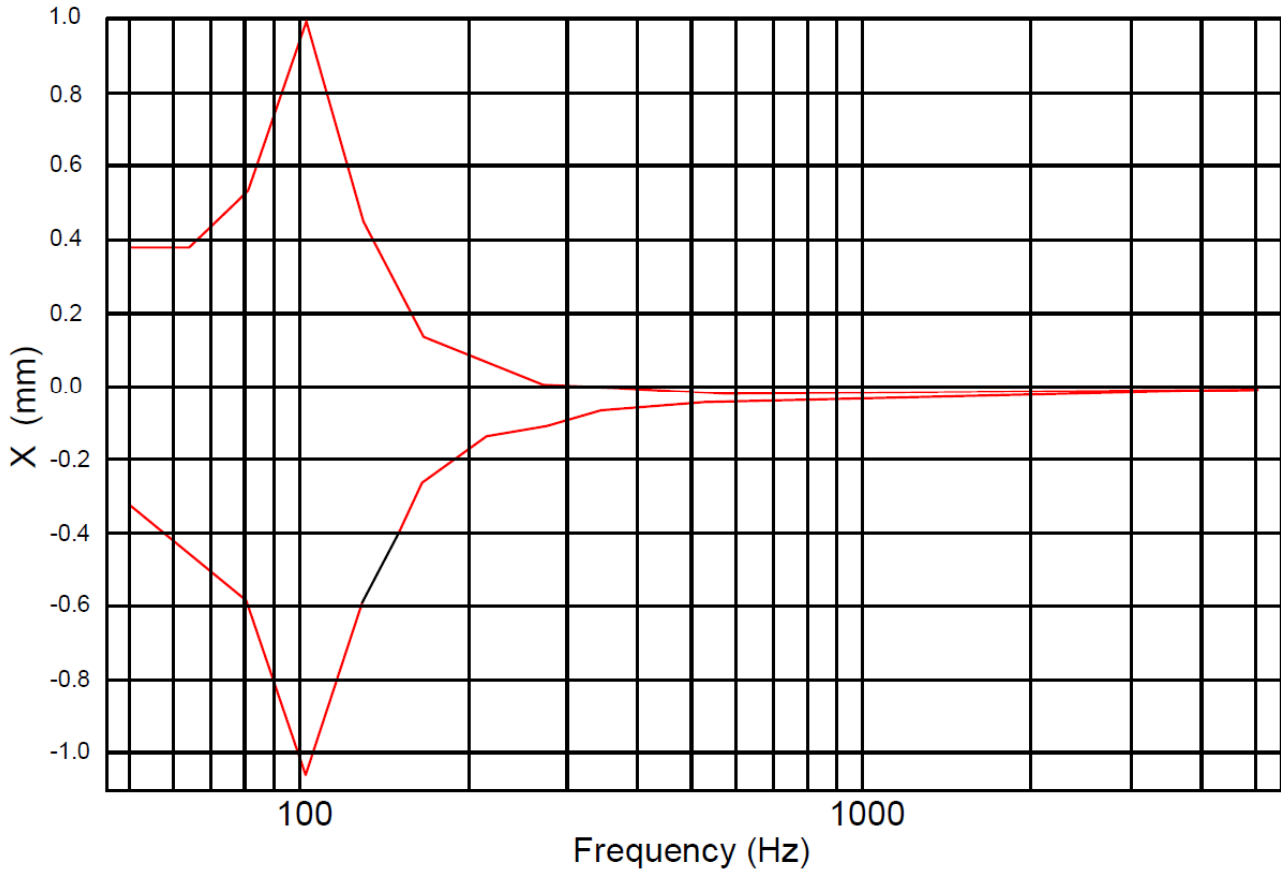
#### 3.3 IMPEDANCE CURVE (only for reference)



DESIGNED BY	Christopher Müller	DATE	2017.03.15	PART NO.	EXS 2608L-03 A	INDEX	A
RELEASED BY	Anouschka Esselun	DATE	2018.12.17				
CHANGED BY	Rabea Richter	DATE	2020.01.13				
DRAWING NO.	428096250						

### 3.4 DISPLACEMENT

Peak and bottom value of waveform  
X<sub>pwak</sub> + bottom



### 4. RELIABILITY TEST

#### 4.1 Load Test

Power (Nom) 0.5W  
Duration 96 hours

#### 4.3 Low Temperature Test

Temperature -40 ±2°C  
Duration 96 hours

#### 4.2 High Temperature Test

Temperature +85 ±2°C  
Duration 96 hours

#### 4.4 Damp Heat

Temperature +40 ±2°C  
Relative Humidity 90~95% RH  
Duration 96 hours

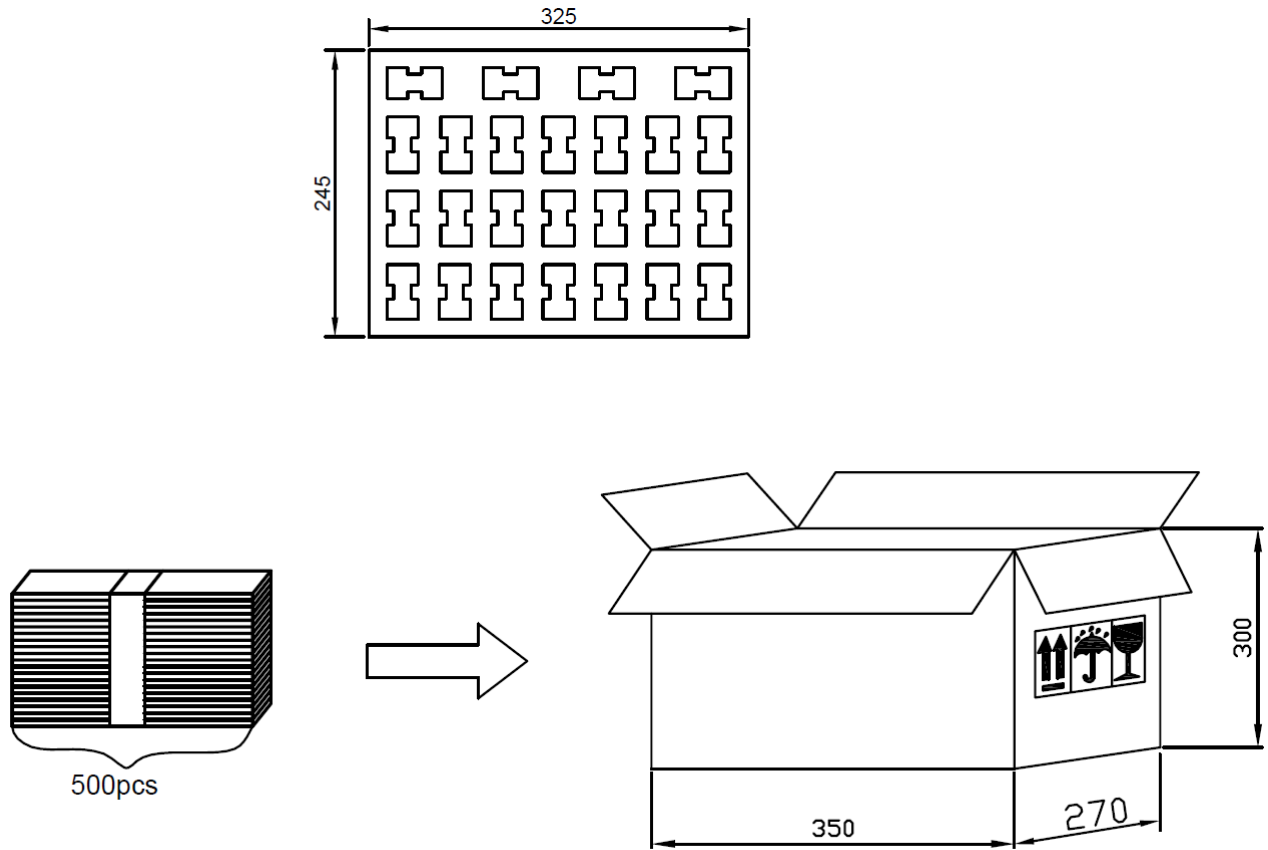
**Notice:** After the test, all electronic and acoustic characteristic should be satisfied with the specification.

SPL deviation is of ±2dB of initial value.

DESIGNED BY	Christopher Müller	DATE	2017.03.15	PART NO.	EXS 2608L-03 A	INDEX	A
RELEASED BY	Anouschka Esselun	DATE	2018.12.17				
CHANGED BY	Rabea Richter	DATE	2020.01.13				
DRAWING NO.	428096250						

## 5. PACKING

### 5.1 PACKING DRAWING



### 5.2 PACKING QUANTITY

25pcs per tray

20 trays per carton

500pcs per carton in total

Carton size 35x27x30cm

DESIGNED BY	Christopher Müller	DATE	2017.03.15	PART NO.	EXS 2608L-03 A	INDEX	A
RELEASED BY	Anouschka Esselun	DATE	2018.12.17				
CHANGED BY	Rabea Richter	DATE	2020.01.13				
DRAWING NO.	428096250						

6. HISTORY CHANGE RECORD

REV	CHANGE ITEMS		DATE
	BEFORE CHANGE	AFTER CHANGE	
1	Dimensions: 26.0±0.3, 17.8±0.3	Dimensions: 25.7±0.1, 17.6±0.1	2016.06.22
2	Resonance Frequency 120Hz	Resonance Frequency 140Hz	2018.05.31
3	Old layout	New layout	2019.08.21
4	Automotive qualified	Not automotive qualified	2020.01.13
5		Remove Test Setup	2020.01.13
6	Resonance Frequency: 140Hz ±20%	Resonance Frequency: 120Hz ±20%	2020.01.13
7		Update drawing with imprint and datecode	2020.01.13

DESIGNED BY	Christopher Müller	DATE	2017.03.15	PART NO.	EXS 2608L-03 A	INDEX	A
RELEASED BY	Anouschka Esselun	DATE	2018.12.17				
CHANGED BY	Rabea Richter	DATE	2020.01.13				
DRAWING NO.	428096250						