

# EXR 3308C A

EXCITER

## CONTENT

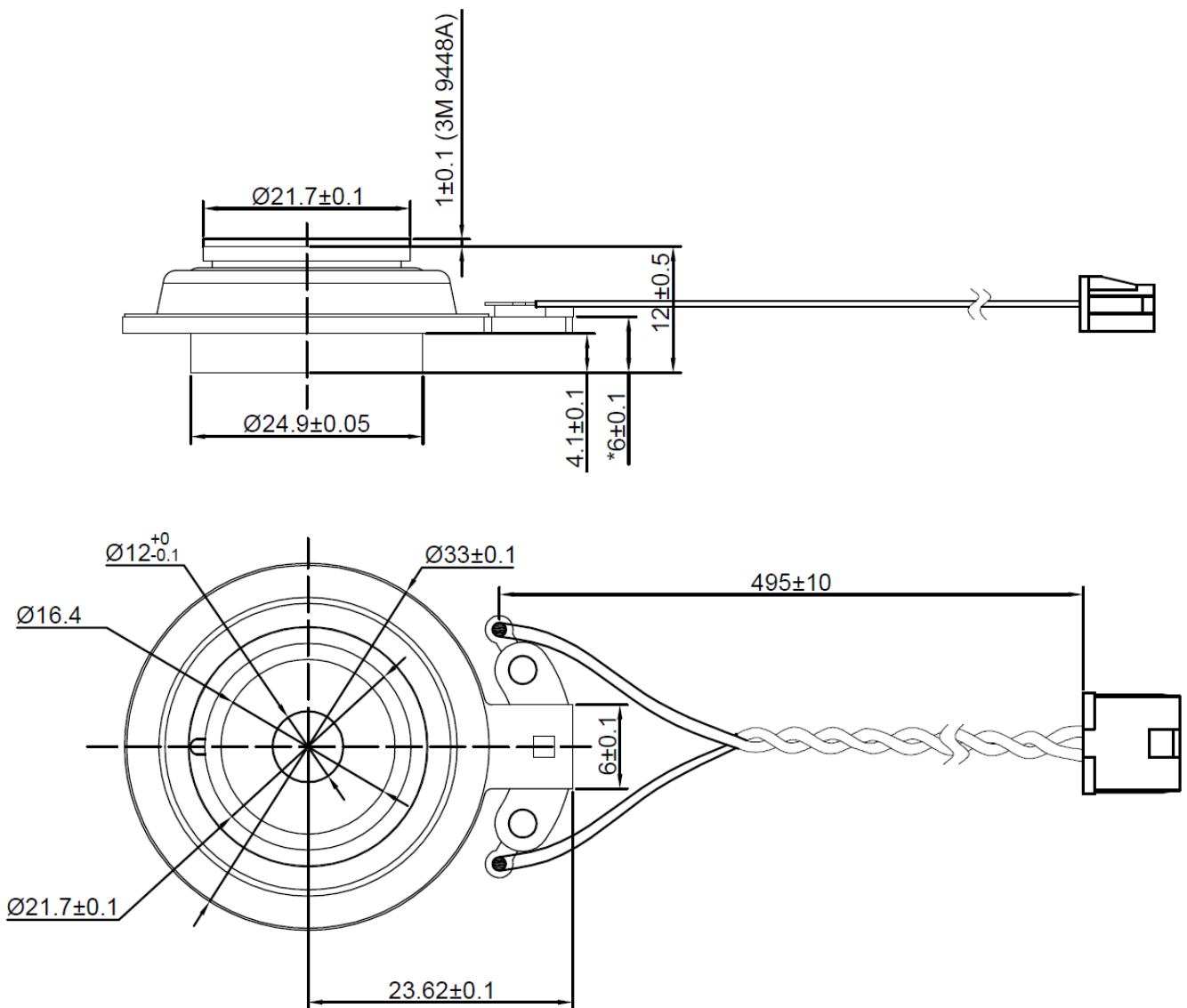
1. Specifications
2. Drawing
3. Impedance Curve
4. Reliability Test
5. Packing
6. History Change Record

## 1. SPECIFICATIONS

Parameter	Unit	Conditions / Description	MIN	TYP	MAX
Input Power	W			5 (at 4.47Vrms)	10 (at 6.32Vrms)
AC Impedance	$\Omega$	At 1.000Hz	6,8	8	9,2
Resonance Frequency	Hz		240	300	360
Frequency Response	Hz		200		20.000
Buzz & Rattle		Must be normal at sine wave 4.475Vrms			
Polarity		Positive voltage to (+), Diaphragm moves forward			
Contact				CONNECTOR	
Packaging				TBD	
Operating Temperature	$^{\circ}\text{C}$		-20		+125
Storage Temperature	$^{\circ}\text{C}$		-20		+125
Weight	g			50	

DESIGNED BY	Rabea Richter	DATE	2018.03.07	PART NO.	EXR 3308C A	INDEX	A
RELEASED BY	Christopher Pagel	DATE	2018.03.07				
CHANGED BY	Rabea Richter	DATE	2019.08.19				
DRAWING NO.	431663953						

## 2. DRAWING

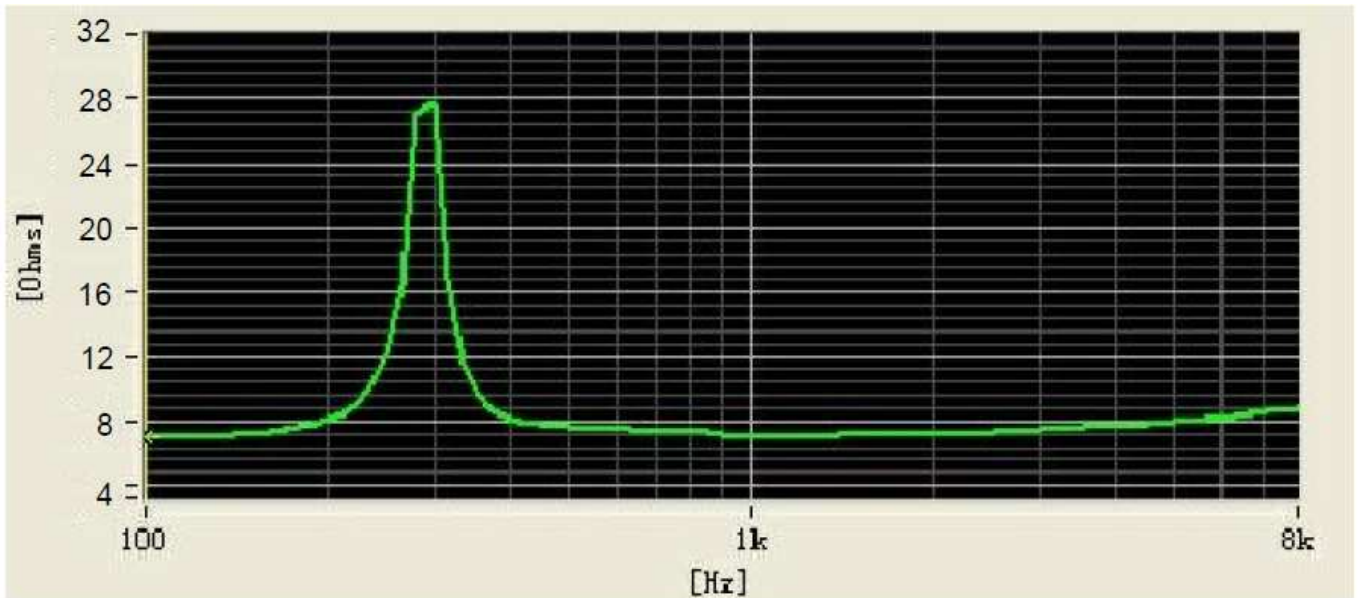


1.WIRE: (UL3266 /AWG24#Red/Black 500mm)

2.CONNECTOR: ghr-02v-s JST

DESIGNED BY	Rabea Richter	DATE	2018.03.07	PART NO.	EXR 3308C A	INDEX	A
RELEASED BY	Christopher Pagel	DATE	2018.03.07				
CHANGED BY	Rabea Richter	DATE	2019.08.19				
DRAWING NO.	431663953						

### 3. IMPEDANCE CURVE (only for reference)



### 4. RELIABILITY TEST

#### 4.1 Load Test

Power (Nom) 5W (white noise)  
Duration 96 hours

#### 4.2 High Temperature Test

Temperature +120 ±2°C  
Duration 96 hours

#### 4.3 Low Temperature Test

Temperature -20 ±2°C  
Duration 96 hours

#### 4.4 Damp Heat

Temperature +40 ±2°C  
Relative Humidity 90~95% RH  
Duration 96 hours

#### 4.5 Drop Test

Height 75cm (on concrete floor)  
Times 10

#### 4.6 Vibration Test

Frequency 30 ±15Hz  
Amplitude 1.5mm for 3 hours

**Notice:** After test leave at room temperature for 1 hour, SPL shall not deviate by ±3dB from pre-test measurement and meet above spec. item 5, 6, 7, 8, 9.

DESIGNED BY	Rabea Richter	DATE	2018.03.07	PART NO.	EXR 3308C A	INDEX
RELEASED BY	Christopher Pagel	DATE	2018.03.07			
CHANGED BY	Rabea Richter	DATE	2019.08.19			
DRAWING NO.	431663953					A

5. PACKING

TBD

6. HISTORY CHANGE RECORD

REV	CHANGE ITEMS		DATE
	BEFORE CHANGE	AFTER CHANGE	
1	Old layout	New layout	2019.08.19

DESIGNED BY	Rabea Richter	DATE	2018.03.07	PART NO.  EXR 3308C A	INDEX  A
RELEASED BY	Christopher Pagel	DATE	2018.03.07		
CHANGED BY	Rabea Richter	DATE	2019.08.19		
DRAWING NO.	431663953				