

EXR 3304L-01 A

EXCITER

CONTENT

1. Specifications
2. Drawing
3. Impedance Curve
4. Reliability Test
5. Packing
6. History Change Record

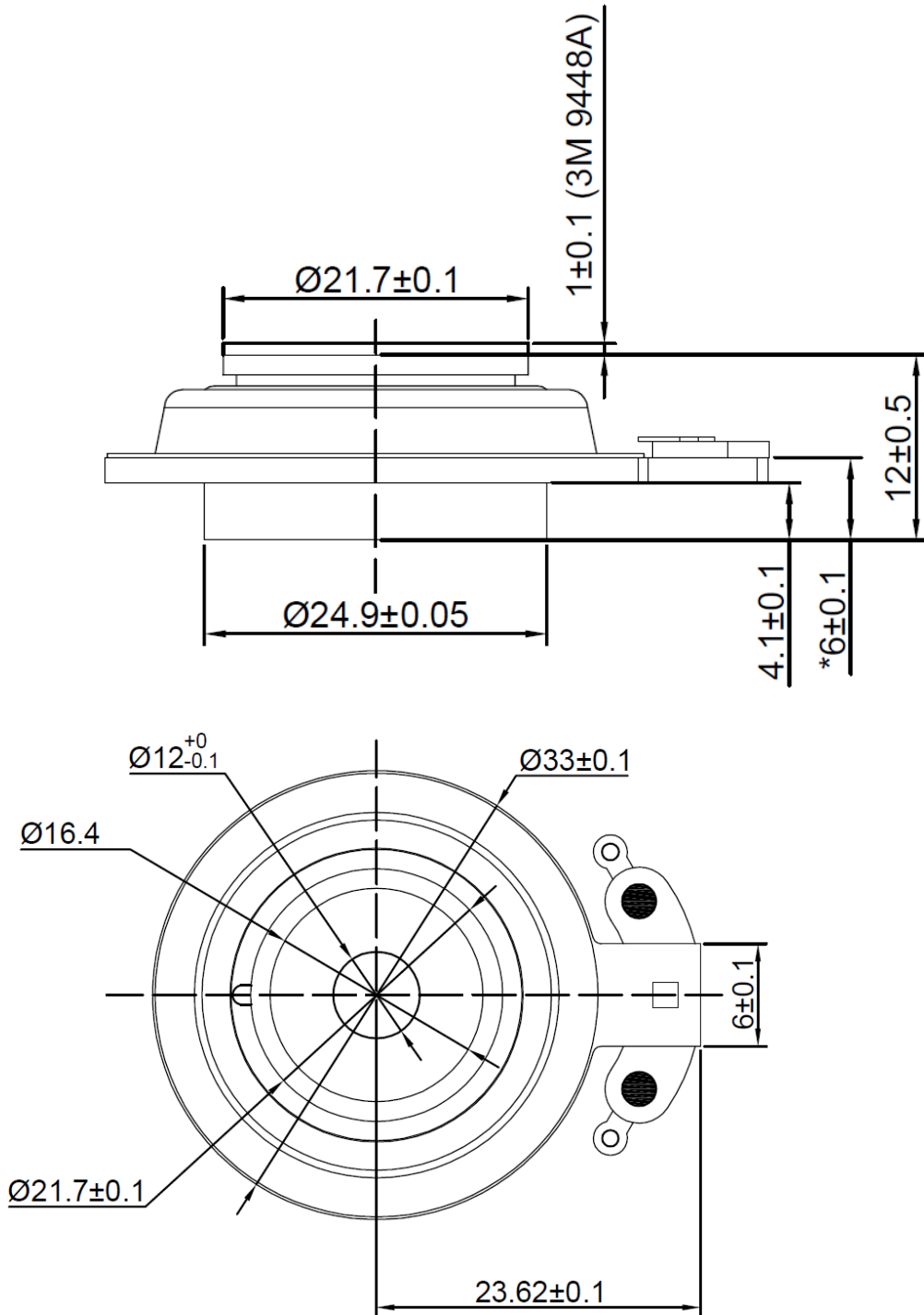


1. SPECIFICATIONS

Parameter	Unit	Conditions / Description	MIN	TYP	MAX
Input Power	W			5 (4.47Vrms)	10 (6.32Vrms)
AC Impedance	Ω	At 1.000Hz	3,4	4	4,6
Resonance Frequency	Hz		240	300	360
Frequency Response	Hz		200		20.000
Buzz & Rattle		Must be normal at sine wave 4.475Vrms			
Polarity		Positive voltage to (+), Diaphragm moves forward			
Contact				TAB	
Packaging				TBD	
Operating Temperature	$^{\circ}\text{C}$		-40		+120
Storage Temperature	$^{\circ}\text{C}$		-40		+120
Weight	g			30	

DESIGNED BY	Christopher Müller	DATE	2017.05.15	PART NO.	EXR 3304L-01 A	INDEX	A
RELEASED BY	Rabea Richter	DATE	2018.12.05				
CHANGED BY	Rabea Richter	DATE	2019.08.21				
DRAWING NO.	428705417						

2. DRAWING

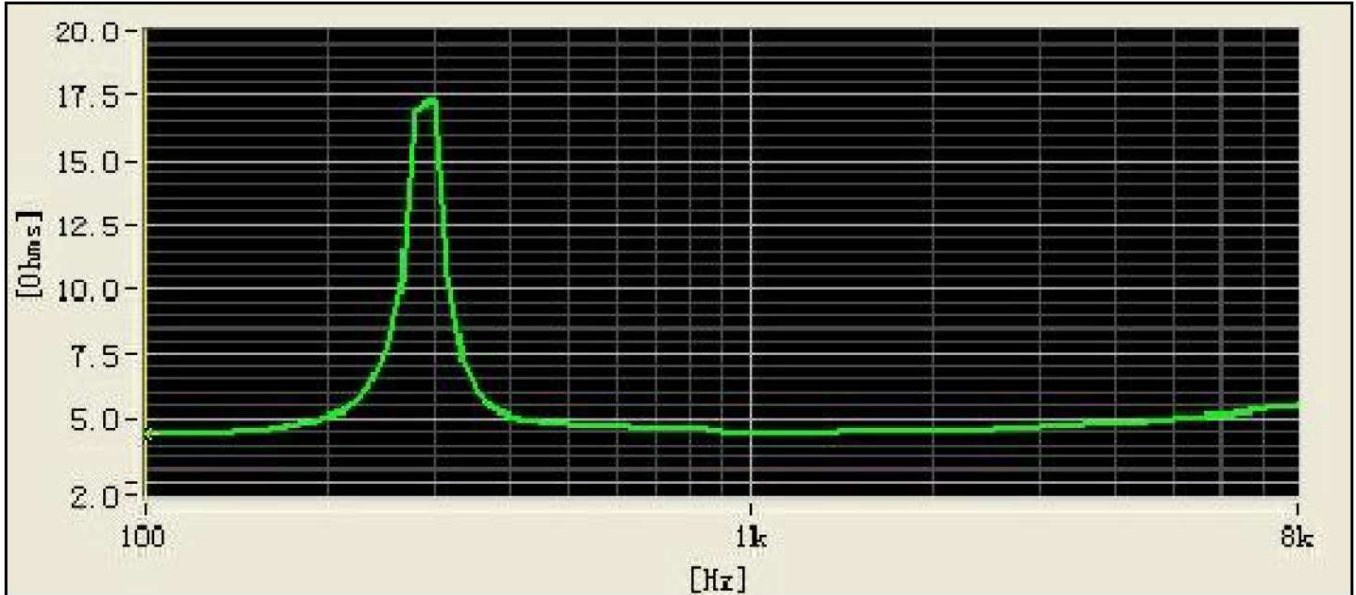


Unit: mm

Tolerance: ± 0.2

DESIGNED BY	Christopher Müller	DATE	2017.05.15	PART NO.	EXR 3304L-01 A	INDEX	A
RELEASED BY	Rabea Richter	DATE	2018.12.05				
CHANGED BY	Rabea Richter	DATE	2019.08.21				
DRAWING NO.	428705417						

3. IMPEDANCE CURVE (only for reference)



4. RELIABILITY TEST

4.1 Load Test

Power (Nom) 5W (white noise)
Duration 96 hours

4.2 High Temperature Test

Temperature +120 ±2°C
Duration 96 hours

4.3 Low Temperature Test

Temperature -40 ±2°C
Duration 96 hours

4.4 Damp Heat

Temperature +40 ±2°C
Relative Humidity 90~95% RH
Duration 96 hours

4.5 Drop Test

Height 75cm (free falling on concrete floor)
Times 10

4.6 Vibration Test

Frequency 30 ±15Hz
Amplitude 1.5mm for 3 hours

Notice: After test leave at room temperature for 1 hour. SPL shall not deviate by ±3dB from pre-test measurement and meet above spec. item 5,6,7,8,9

DESIGNED BY	Christopher Müller	DATE	2017.05.15	PART NO.	EXR 3304L-01 A	INDEX
RELEASED BY	Rabea Richter	DATE	2018.12.05			A
CHANGED BY	Rabea Richter	DATE	2019.08.21			
DRAWING NO.	428705417					

5. PACKING

TBD

6. HISTORY CHANGE RECORD

REV	CHANGE ITEMS		DATE
	BEFORE CHANGE	AFTER CHANGE	
1	Old layout	New layout	2019.08.22

DESIGNED BY	Christopher Müller	DATE	2017.05.15	PART NO.	EXR 3304L-01 A	INDEX	A
RELEASED BY	Rabea Richter	DATE	2018.12.05				
CHANGED BY	Rabea Richter	DATE	2019.08.21				
DRAWING NO.	428705417						