

BUS 102C9-30VBW-03A

BACKUP ALARM

www.grewus.de

CONTENT

1. SPECIFICATIONS
2. DRAWING
3. TEST METHOD
4. RELIABILITY TEST
5. NOTICE
6. PACKING
7. HISTORY CHANGE RECORD

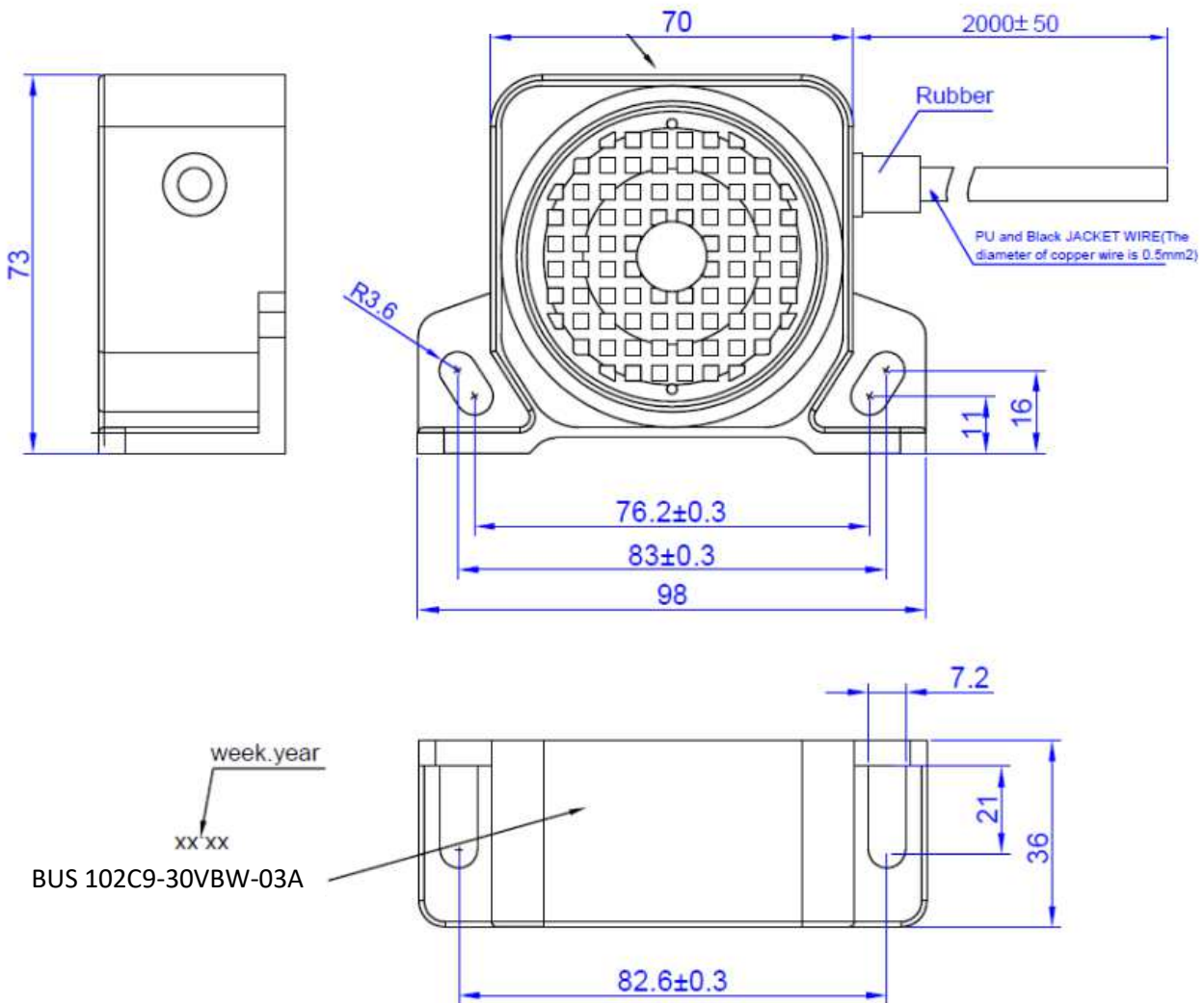


1. SPECIFICATIONS

Parameter	Unit	Conditions / Description	MIN	TYP	MAX
Rated Voltage	VDC			12/24	
Operating Voltage	VDC		9		30
Current Consumption	mA				250
SPL	dB	At 12VDC, in 1.2m distance	98	102	106
Resonance Frequency	Hz		1.200	1.400	1.600
Ip Rating	IP			67	
Tone				CONSTANT	
Housing Material				PA66+15%GF	
Housing Colour				BLACK	
Contact				WIRE	
Packaging				BOX	
Operating Temperature	°C		-40		+85
Storage Temperature	°C		-40		+85
Weight	g			300	

DESIGNED BY	Rabea Richter	DATE	2020.03.25	PART NO.	BUS 102C9-30VBW-03 A	INDEX	A
RELEASED BY	Christopher Pagel	DATE	2020.03.25				
CHANGED BY		DATE					
DRAWING NO.	436824058						

2. DRAWING



week_year
xx'xx
BUS 102C9-30VBW-03A

Wire specification

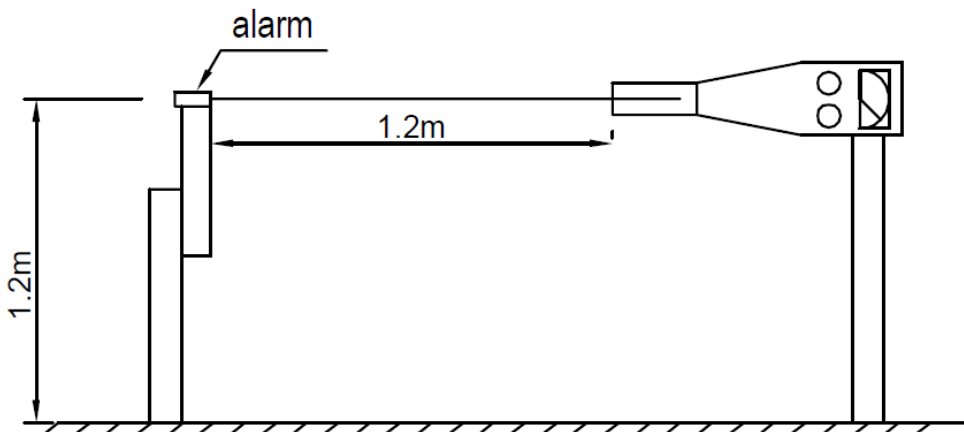
Number of wires: 2
 Cross section: 0.5mm²
 Structure: Thin wire braid from bright Cu wire acc. to VDE 0295
 Wire insulation: PVC mixture, cold weather = flexibly
 Temperature range: -30°C to +80 °C
 Color of wire: red, black
 Outer cover: PURELY, black, halogeneous-free, flame adversely oil resistant (Hydraulic-oil, mineral-oil, fats)
 Rated voltage: 300/500V
 Test voltage: 1500V

Tolerance: ± 0.5 Unit: mm

DESIGNED BY	Rabea Richter	DATE	2020.03.25	PART NO.	BUS 102C9-30VBW-03 A	INDEX	A
RELEASED BY	Christopher Pagel	DATE	2020.03.25				
CHANGED BY		DATE					
DRAWING NO.	436824058						

3. TEST METHOD

The alarm is located in a free field or an equivalent fully anechoic room. The microphone is directed toward the alarm sound output opening along the zero degree axis and at the distance specified by the test requirement.



4. RELIABILITY TEST

4.1 High Temperature Test

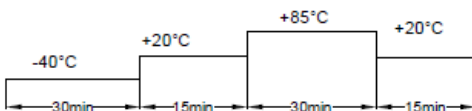
Temperature +85°C
Duration 96 hours

4.2 Low Temperature Test

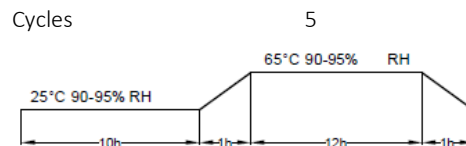
Temperature -40°C
Duration 96 hours

4.3 Temperature Cycle Test

Cycles 5



4.4 Humidity Test



4.5 Life Test

Temperature +20°C
Load 28VDC
Duration 96 hours

4.6 Drop Test

Height 1m (to a board)
Direction 3

Notice:

All these tests above should be measured after leaving normal temperature for 2 hours.

DESIGNED BY	Rabea Richter	DATE	2020.03.25	PART NO.	BUS 102C9-30VBW-03 A	INDEX	A
RELEASED BY	Christopher Pagel	DATE	2020.03.25				
CHANGED BY		DATE					
DRAWING NO.	436824058						

5. NOTICE

5.1 Export Control <For customers outside Europe> No Grewus products should be used or sold, through any channels, for use in the design, development, production, utilization, maintenance or operation of, or otherwise contribution to

- a) any weapons (Weapons of Mass Destruction [nuclear, chemical or biological weapons or missiles] or conventional weapons) or
- b) goods or systems specially designed or intended for military end-use or utilization by military end-users.

5.2 Please contact our sales representatives or product engineers before using the products in the specification or catalogue for the applications listed below, which require especially high reliability for the prevention of defects which might directly damage a third party's life, body or property, or when one of our products is intended for use in applications other than those specified in this specification.

- a) Aircraft equipment or Aerospace equipment
- b) Undersea equipment and Power plant equipment
- c) Medical equipment and Transportation equipment (vehicles, trains, ships, etc.)
- d) Traffic signal equipment / Disaster prevention / crime prevention equipment
- e) Data-processing equipment including Application of similar complexity and/or
- f) Reliability requirements to the applications listed above

5.3 Product specifications and catalogues are subject to change and our products in them may be discontinued without advance notice. Please check with our sales representatives or product engineers before ordering. If there are any questions, please contact our sales representatives or product engineers.

5.4 Please read rating and CAUTION (for storage, operating, rating, soldering, mounting and handling) in this specification in order to prevent smoking and/or burning, etc.

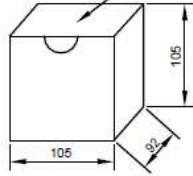
5.5 Please note that unless otherwise specified, we shall assume no responsibility whatsoever for any conflict or dispute that may occur in connection with the effect of our and/or a third party's intellectual property rights and other related rights in consideration of your use of our products and/or information described or contained in our specifications and catalogues. In this connection, no representation shall be made to the effect that any third parties are authorized to use the rights mentioned above under licenses without our consent.

5.6 No ozone depleting substances (ODS) under the Montreal Protocol are used in our manufacturing process.

DESIGNED BY	Rabea Richter	DATE	2020.03.25	PART NO.	BUS 102C9-30VBW-03 A	A
RELEASED BY	Christopher Pagel	DATE	2020.03.25			
CHANGED BY		DATE				
DRAWING NO.	436824058					

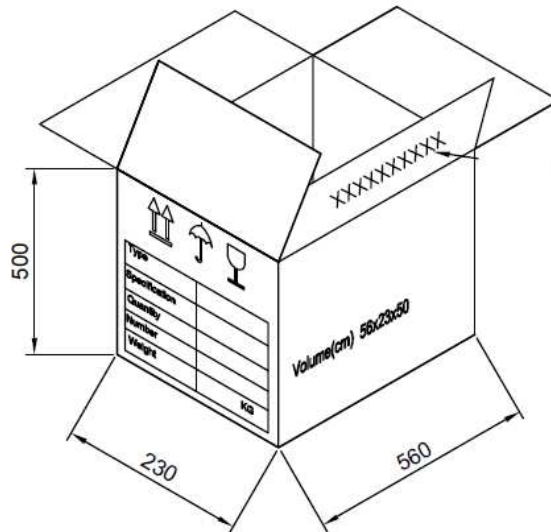
6. PACKING

BUS 102C9-30VBW-03A



6.1 PACKING QUANTITY

1pc per small box
 Box size: 105x92x105mm
 50pcs per carton in total
 Carton size: 56x23x50cm



7. HISTORY CHANGE RECORD

REV	CHANGE ITEMS		DATE
	BEFORE CHANGE	AFTER CHANGE	

DESIGNED BY	Rabea Richter	DATE	2020.03.25	PART NO.	BUS 102C9-30VBW-03 A	INDEX A
RELEASED BY	Christopher Pagel	DATE	2020.03.25			
CHANGED BY		DATE				
DRAWING NO.	436824058					