

# BPI 3724P B

PIEZO BUZZER

## CONTENT

1. SPECIFICATIONS
2. DRAWING
3. TEST METHOD
4. RELIABILITY TEST
5. PACKING
6. HISTORY CHANGE RECORD



## 1. SPECIFICATIONS

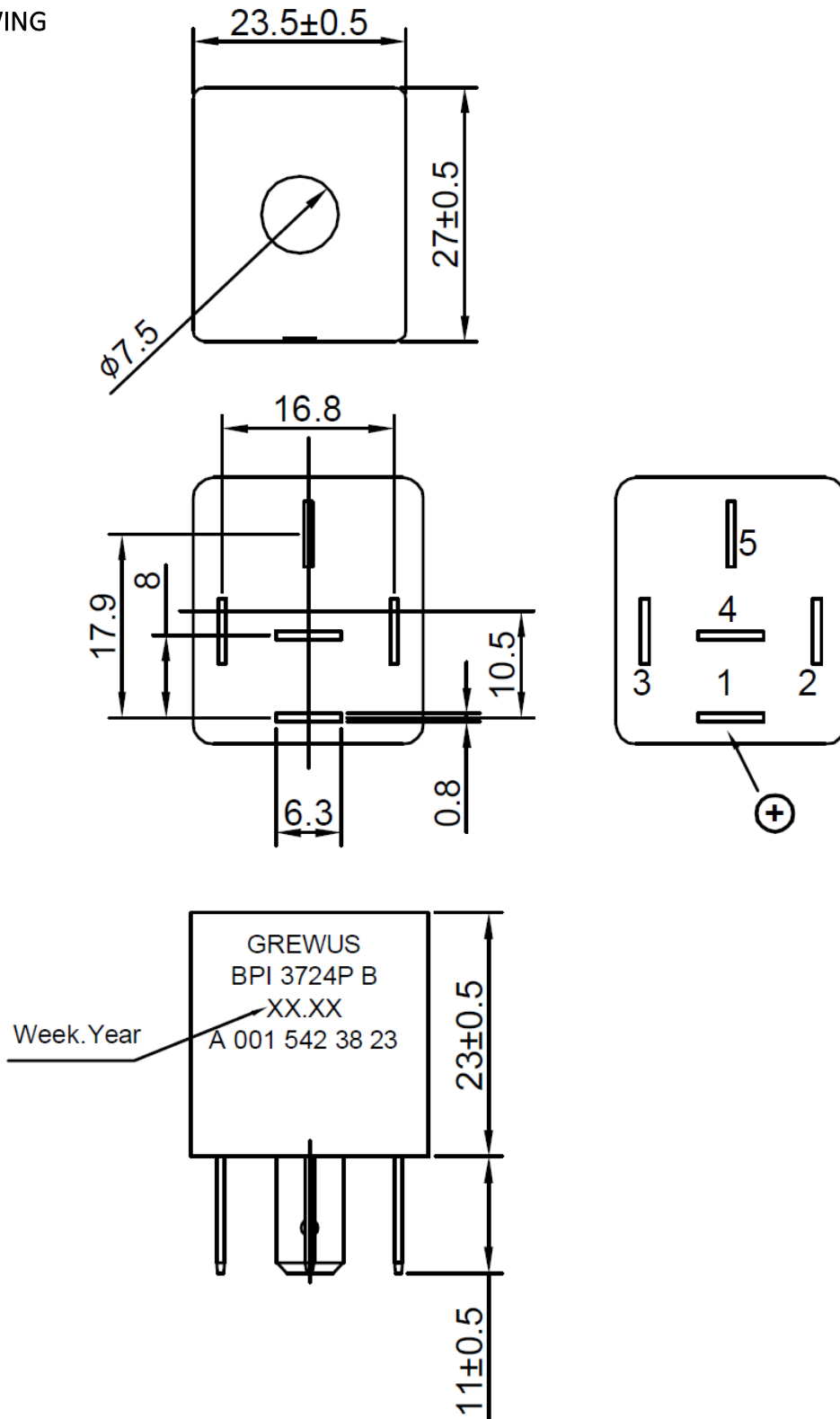
Parameter	Unit	Conditions / Description	MIN	TYP	MAX
Rated Voltage	VDC			24	
Operating Voltage	VDC		18		28
Rated Current	mA	Value applying at rated voltage			80
SPL	dB	Value applying at rated voltage In 10cm distance	99		
		With Test Circuit, in 10 cm distance	99		
Resonance Frequency	Hz	Value applying at rated voltage	200	300	400
Housing Colour				BLACK	
Tone Characteristic				CONSTANT TONE	
Contact				PIN	
Packaging				BOX	
Operating Temperature	°C		-30		+70
Storage Temperature	°C		-30		+70
Weight	g			20	

### Remark:

New fixing of anchor, release 24.09.2008

DESIGNED BY	Ralf Hinnerichs	DATE	2008.06.16	PART NO.	BPI 3724P B	INDEX	B
RELEASED BY	Ralf Hinnerichs	DATE	2008.06.16				
CHANGED BY	Rabea Richter	DATE	2019.09.17				
DRAWING NO.	396156566						

2. DRAWING

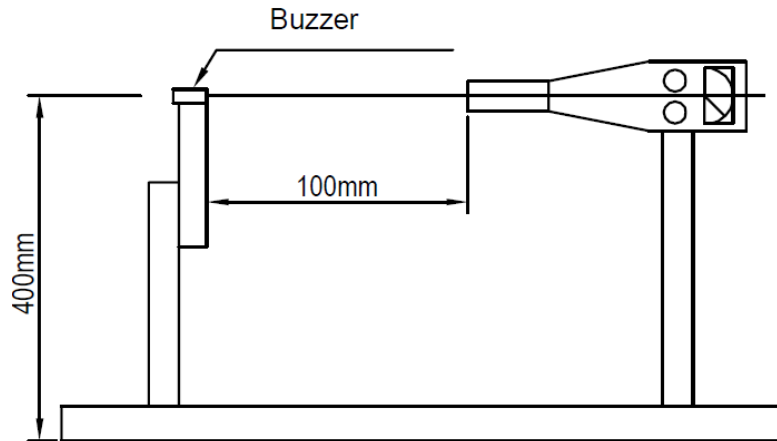


Tolerance:  $\pm 0.2$  Unit: mm

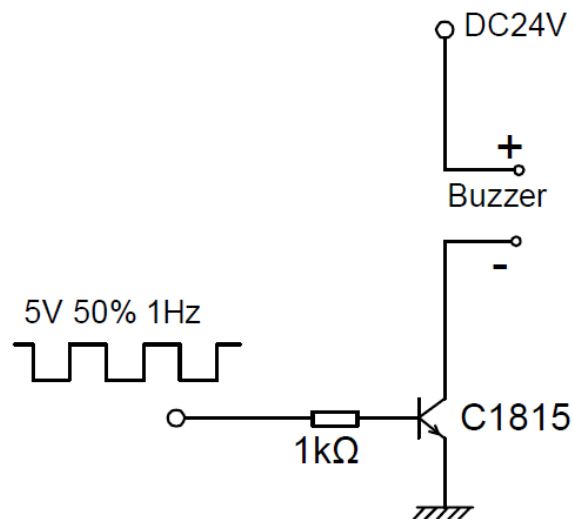
DESIGNED BY	Ralf Hinnerichs	DATE	2008.06.16	PART NO.	BPI 3724P B	INDEX	B
RELEASED BY	Ralf Hinnerichs	DATE	2008.06.16				
CHANGED BY	Rabea Richter	DATE	2019.09.17				
DRAWING NO.	396156566						

### 3. TEST METHOD

#### 3.1 TEST SETUP



#### 3.2 TEST CIRCUIT



DESIGNED BY	Ralf Hinnerichs	DATE	2008.06.16	PART NO.	BPI 3724P B	INDEX	B
RELEASED BY	Ralf Hinnerichs	DATE	2008.06.16				
CHANGED BY	Rabea Richter	DATE	2019.09.17				
DRAWING NO.	396156566						

**4. RELIABILITY TEST**

**4.1 High Temperature Test**

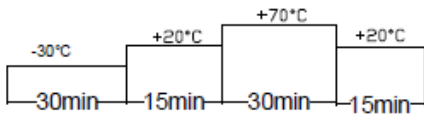
Temperature +70°C  
Duration 96 hours

**4.2 Low Temperature Test**

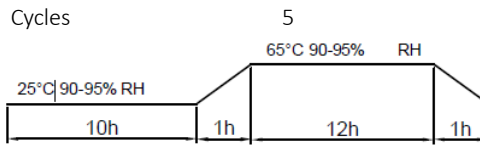
Temperature -30°C  
Duration 96 hours

**4.3 Temperature Cycle Test**

Cycles 5



**4.4 Humidity Cycle Test**



All these tests above should be measured after leaving normal temperature for 2 hours.

**4.5 Drop Test**

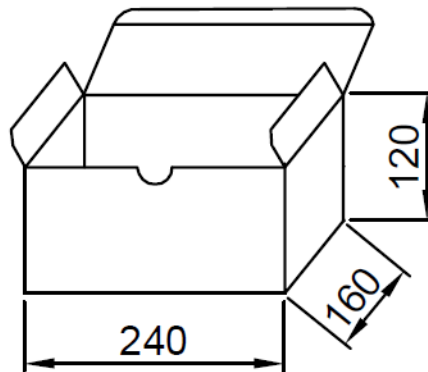
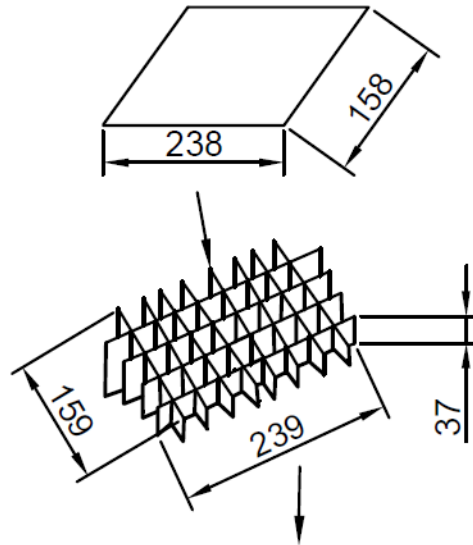
Height 70 cm (to 10mm thick wooden board)  
Direction 3

**Notice:**

All specification must be satisfied in this condition.

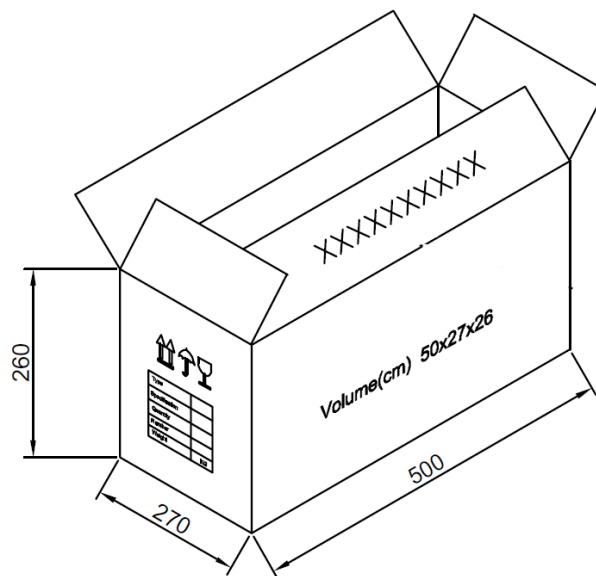
DESIGNED BY	Ralf Hinnerichs	DATE	2008.06.16	PART NO.	BPI 3724P B	INDEX	B
RELEASED BY	Ralf Hinnerichs	DATE	2008.06.16				
CHANGED BY	Rabea Richter	DATE	2019.09.17				
DRAWING NO.	396156566						

**5. PACKING**



**5.1 PACKING QUANTITY**

135pcs per box  
Box size: 240x160x120mm  
6 boxes per carton  
810pcs per carton in total  
Carton size: 50x27x26cm



DESIGNED BY	Ralf Hinnerichs	DATE	2008.06.16	PART NO.	<b>BPI 3724P B</b>	INDEX	<b>B</b>
RELEASED BY	Ralf Hinnerichs	DATE	2008.06.16				
CHANGED BY	Rabea Richter	DATE	2019.09.17				
DRAWING NO.	396156566						

**6. HISTORY CHANGE RECORD**

REV	CHANGE ITEMS		DATE
	BEFORE CHANGE	AFTER CHANGE	
1		Change the picture, add Reliability Test	2009.01.08
2	Old Layout	New Layout	2019.09.17

<b>DESIGNED BY</b>	Ralf Hinnerichs	<b>DATE</b>	2008.06.16	<b>PART NO.</b>  <b>BPI 3724P B</b>	<b>INDEX</b>  <b>B</b>
<b>RELEASED BY</b>	Ralf Hinnerichs	<b>DATE</b>	2008.06.16		
<b>CHANGED BY</b>	Rabea Richter	<b>DATE</b>	2019.09.17		
<b>DRAWING NO.</b>	396156566				