

**1. General**

Operating temperature:	-20°C to +70°C	Component weight [g]:	
Storage temperature:	-30°C to +80°C		
Contact:	no	Housing color:	n.a.
Packageing:	tray	IP rating:	
ESD conform	<input type="checkbox"/>	RoHs conform:	yes
Remark:	piezo disc		

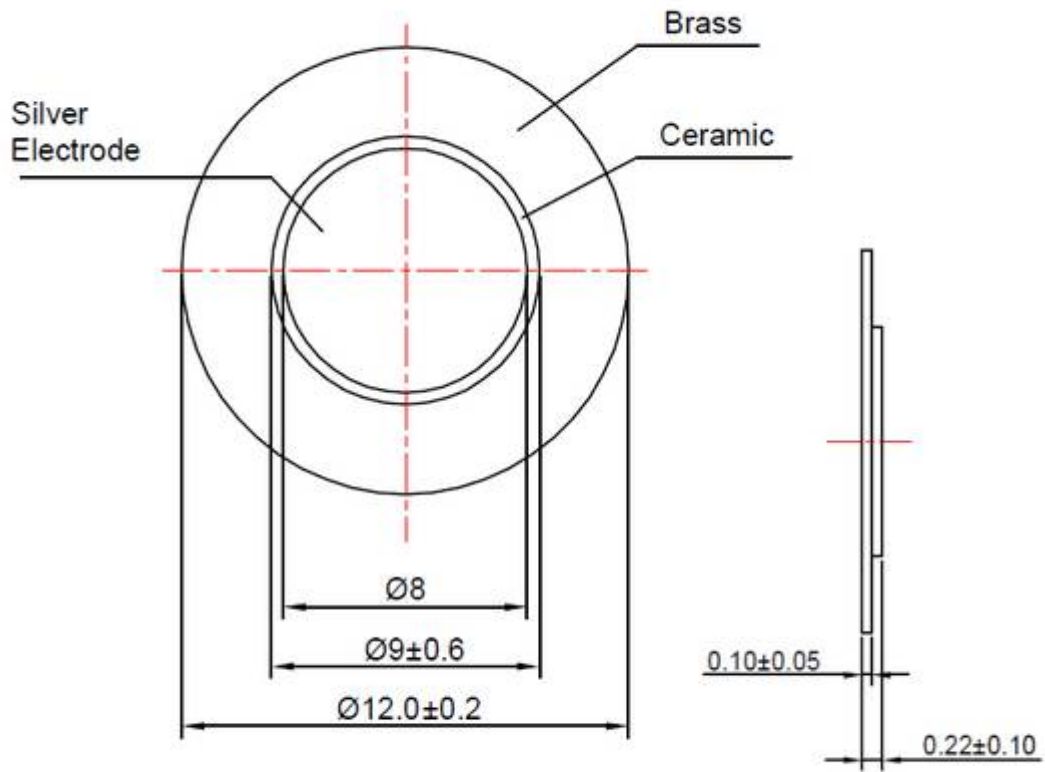


**2. Electrical and acoustical specification**

Impedance [Ω]	<i>at resonance frequency</i>	≤ 1000
Resonance frequency [Hz]		9000 ± 1000
Capacity [nF]		8 ± 30% at 1kHz
Operating voltage [V]		max 30
SPL [dBA]:		n.a.
Tone constant-pulse:	<i>n.a.</i>	
Polarity:		
Remark:	<i>Insulation resistance &gt;100MΩ, "Pull off"force between silver and ceramic layer (horizontally) &gt;20N; "Pull off" force between silver and ceramic layer (vertically) &gt; 2N</i>	
frequency curve:		

<b>GREWUS</b>		dimensions without tolerance: ± 0.3	scale:	
Designed by: Ralf Hinnerichs	01.03.2010	part number: <b>PE1230A</b>	index:	Date:
Released by: Ralf Hinnerichs	01.03.2010		<b>A</b>	01.03.2010
drawing number: <b>402385592</b>			Page 1 of 3	

3. Component drawing



<b>GREWUS</b>		dimensions without tolerance: $\pm 0.3$	scale:	
Designed by: Ralf Hinnerichs	01.03.2010	part number: <b>PE1230A</b>	index:	Date:
Released by: Ralf Hinnerichs	01.03.2010		<b>A</b>	01.03.2010
drawing number: <b>402385592</b>			Page 2 of 3	