

**1. General**

operating temperature:	-20°C to +70°C	component weight [g]:	2
storage temperature:	-30°C to +85°C	housing color:	black
contact:	PIN	IP rating:	
packageing:	tray	RoHs conform:	yes
ESD conform	<input type="checkbox"/>		
remark:	housing material NORYL		



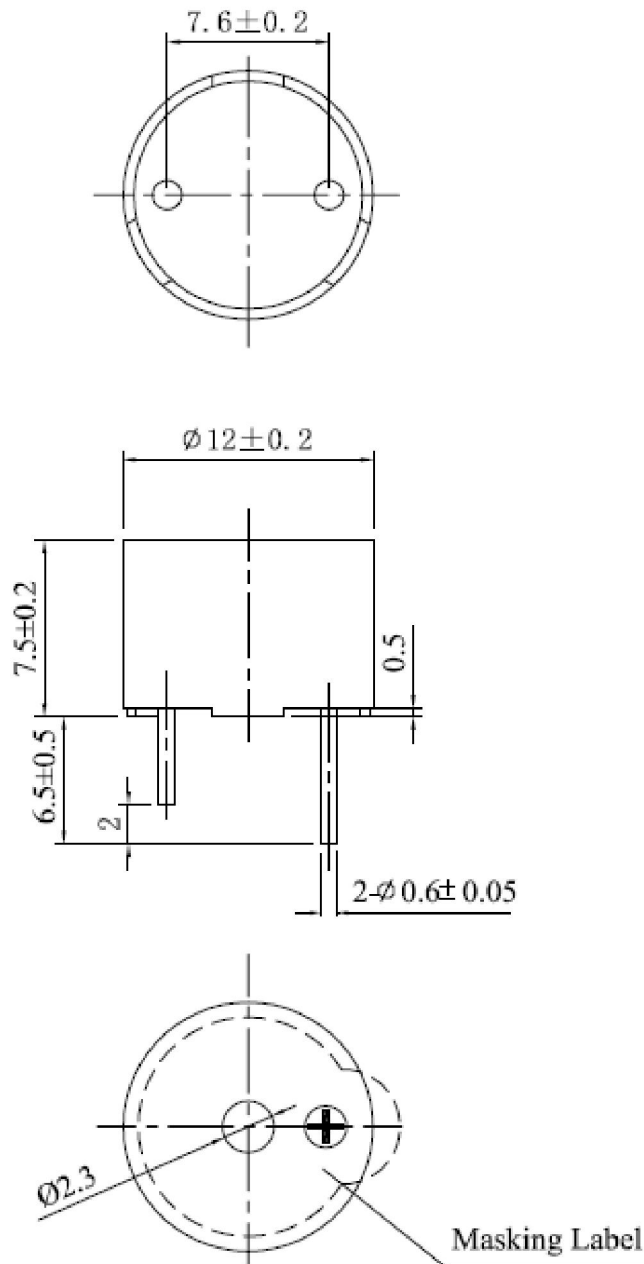
**2. Electrical and acoustical specification**

SPL [dBA]	<i>with 3V, 10cm distance</i>	≥ 82
Resonant frequency [Hz]		2300 ± 400
Rated voltage [V]	<i>V dc</i>	3
Operating voltage [V]	<i>V dc</i>	2 - 5
Current consumption [mA]	<i>at 3 V dc</i>	≤ 30

Remark: response time max. 50ms

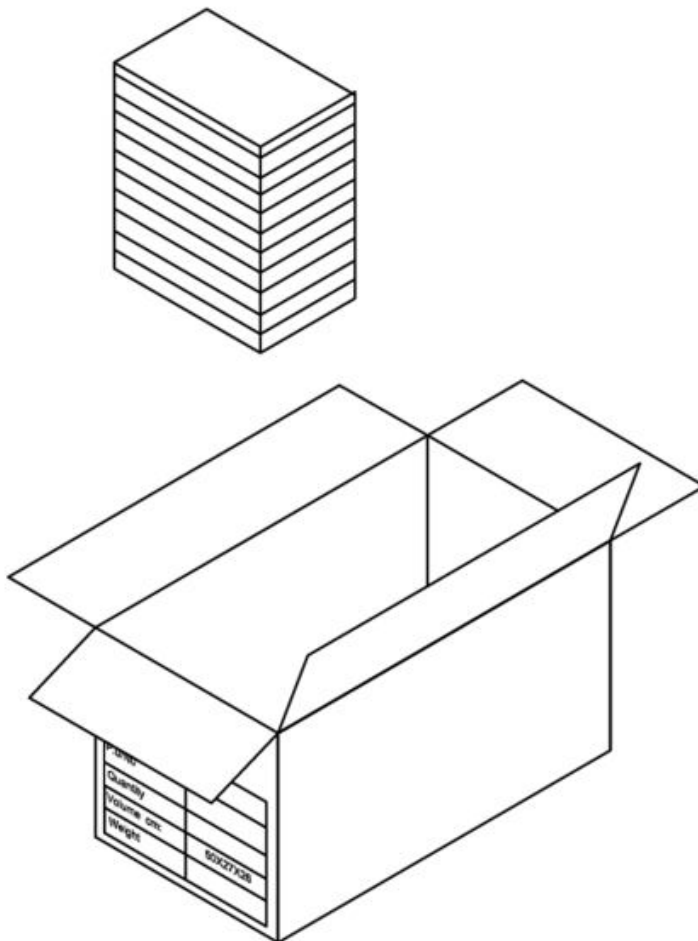
<b>GREWUS</b>		dimensions without tolerance:	scale:	
Designed by: Ralf Hinnerichs	04.11.2008	part number: <b>BMI1203PWLA</b>	index:	Date:
Released by: Ralf Hinnerichs	04.11.2008		<b>A</b>	04.11.2008
drawing number: <b>397566047</b>		<b>Buzzer</b>		Page 1 of 3

3. Component drawing



<b>GREWUS</b>		dimensions without tolerance:	scale:	
Designed by: Ralf Hinnerichs	04.11.2008	part number:	index:	Date:
Released by: Ralf Hinnerichs	04.11.2008	<b>BMI1203PWLA</b>	<b>A</b>	04.11.2008
drawing number: <b>397566047</b>		<b>Buzzer</b>	Page 2 of 3	

4. Packageing drawing



**Carton**

Size: 50 x 27 x 26cm

Smalest unit:

Quantity: 3000 pcs / carton

quantity smalest unit:

Weight:

further packageing information: 100 pcs / tray, 30 Trays / carton

<b>GREWUS</b>		dimensions without tolerance:	scale:	
Designed by: Ralf Hinnerichs	04.11.2008	part number: <b>BMI1203PWLA</b>	index:	Date:
Released by: Ralf Hinnerichs	04.11.2008		<b>A</b>	04.11.2008
drawing number: <b>397566047</b>		<b>Buzzer</b>		Page 3 of 3